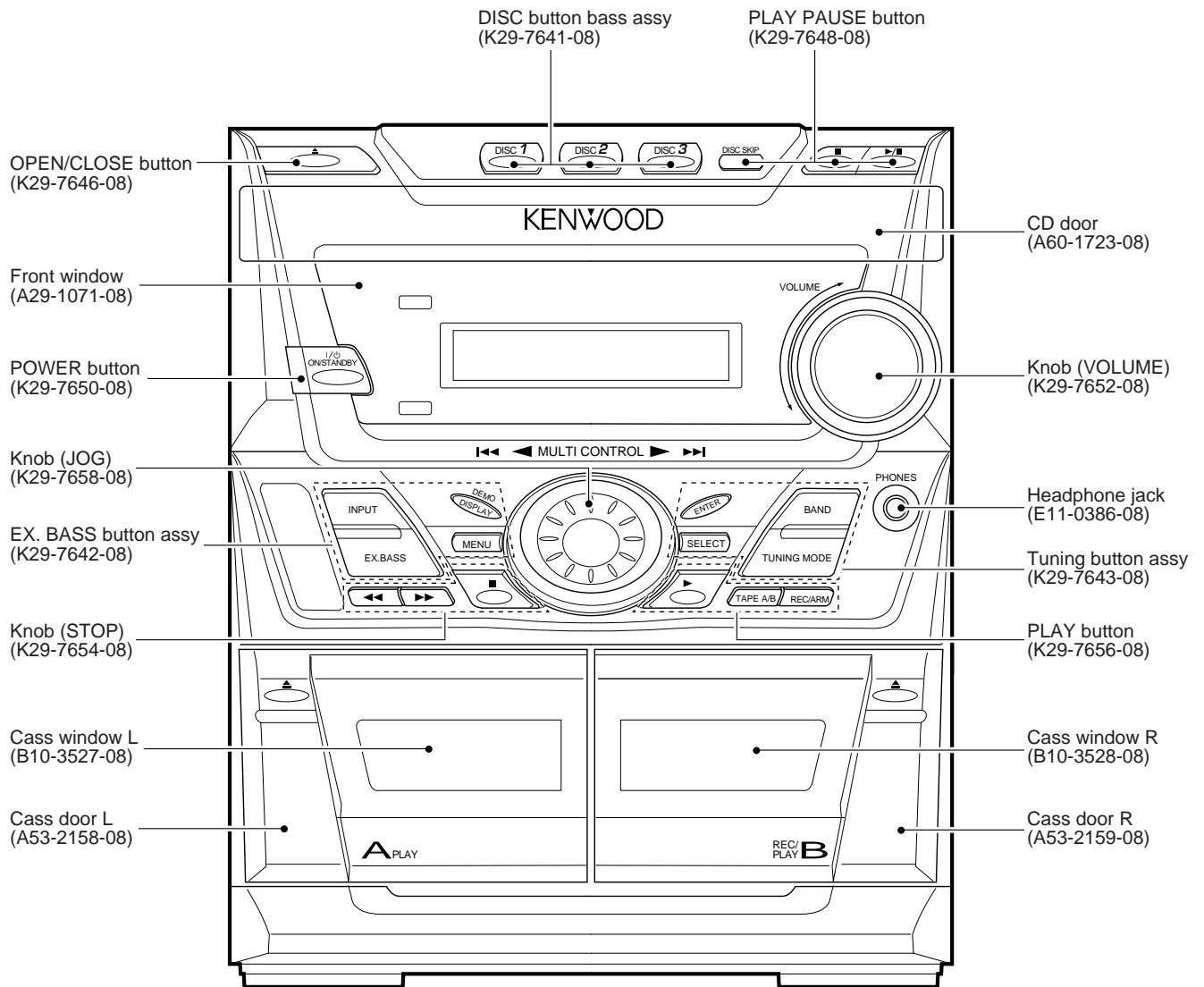


MINI HiFi COMPONENT SYSTEM  
**RXD-302/302E/352/352E/372S**  
**LS-N302/N352**  
**SERVICE MANUAL**  
 (XD-302/302E/352/352E/372S)\*\*

**KENWOOD**

© 1999-5/B51-5530-00 (K/K) 2299



\*\*Refer to page 2 if you want to know system configuration.

In compliance with Federal Regulations, following are reproductions of labels on, or inside the product relating to laser product safety.

Refer to service manual RXD-251/301/301E/301W/351/351E/351W/371S (B51-5454-00), if you require CD MECHANISM OPERATION DESCRIPTION in detail.

**Illust. is RXD-352M.**

KENWOOD-Crop. certifies this equipment conforms to DHHS Regulations No. 21 DFR 1040. 10, Chapter 1, Subchapter J.

**DANGER : Laser radiation when open and interlock defeated. AVOID DIRECT EXPOSURE TO BEAM**

# RXD-302/302E/352/352E/372S

## CONTENTS / ACCESSORIES / CAUTIONS


### Contents

CONTENTS / ACCESSORIES / CAUTIONS.....	2	PC BOARD .....	11
EXTERNAL VIEW .....	3	SCHEMATIC DIAGRAM .....	15
BLOCK DIAGRAM .....	4	EXPLODED VIEW .....	29
CIRCUIT DESCRIPTION .....	5	PARTS LIST.....	32
ADJUSTMENT .....	7	SPECIFICATIONS .....	Back cover


### Accessories

----- FM indoor antenna (1) -----

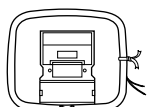
Europe and U.K. (T90-0836-05): TEE2E3E4	Other countries (T90-0847-08): MXYM2
--	---



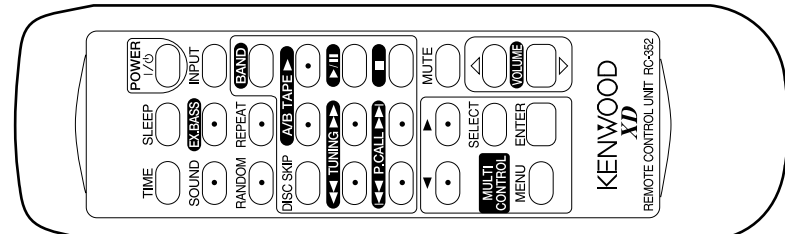
Batteries (R6/AA) (2)




AM loop antenna (1)  
(T90-0815-08)



Remote control unit (1)  
(A70-1320-08) : RC-352



AC plug adaptor (1)  
(E03-0115-05)



Use to adapt the plug on the power cord to the shape of the wall outlet.  
(Accessory only for regions where use is necessary.)

### System configuration

SYSTEM	MAIN UNIT	DESTINATION	SPEAKER
XD-302	RXD-302	E3	LS-N302
XD-302E	RXD-302E	E4	LS-N302
XD-352	RXD-352	TEMXY	LS-N352
XD-352E	RXD-352E	E2	LS-N352
XD-372S	RXD-372S	M2	LS-N352

### Cautions

#### Operation to reset

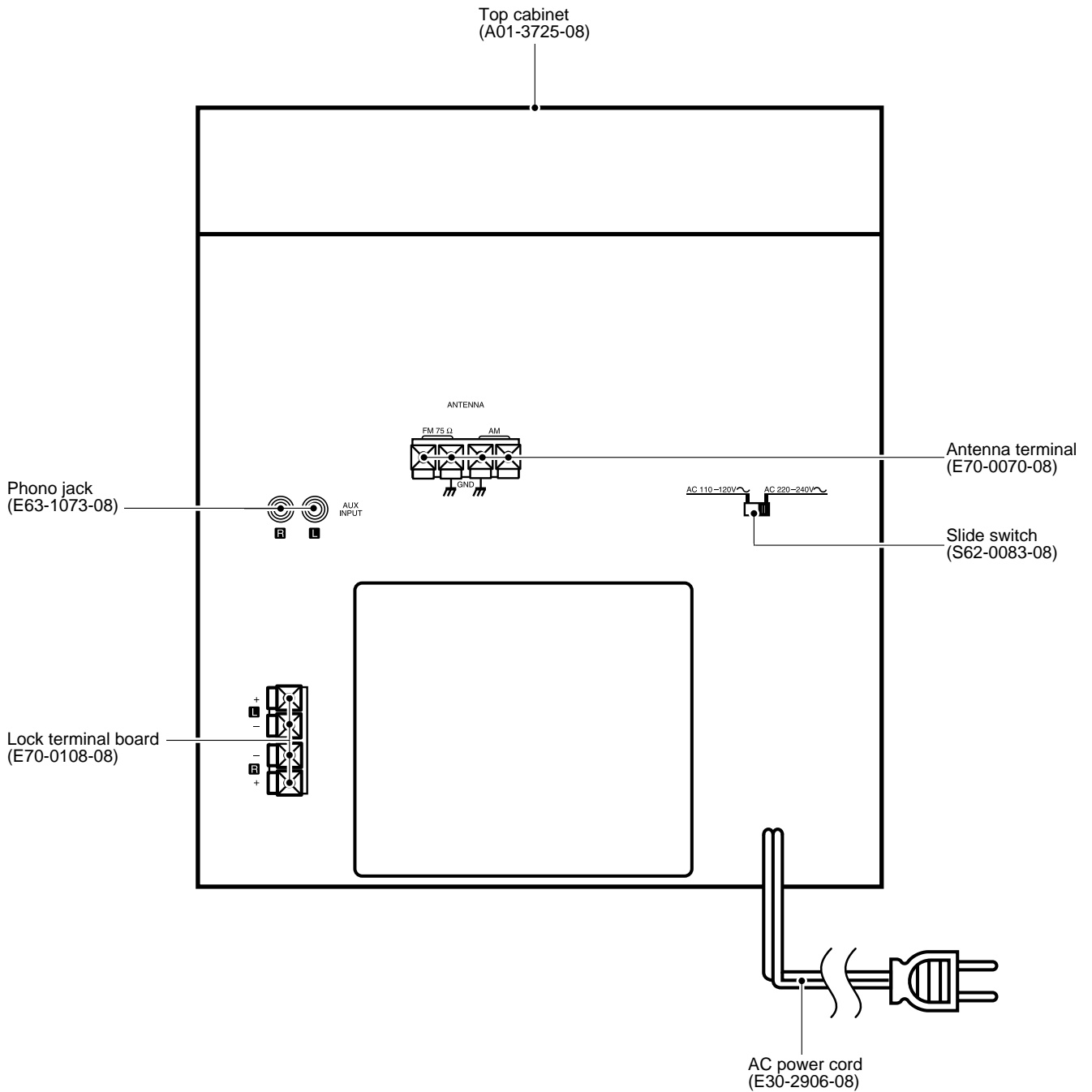
The microcomputer may fall into malfunction (impossibility to operate, erroneous display, etc.) when the power cord is unplugged while power is ON or due to an external factor. In this case, execute the following procedure to reset the microcomputer and return it to normal condition.

Press the "POWER" key while holding the Stop (■) key of the CD section pressed, to switch off the power, and then switch the power on again after a few seconds.

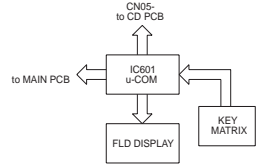
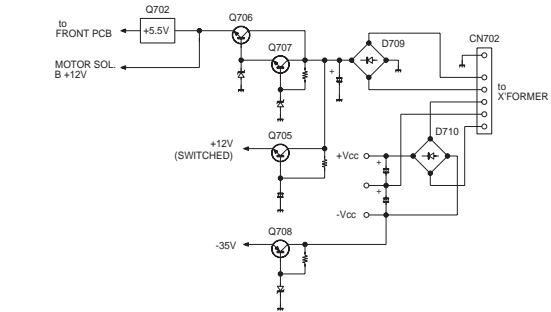
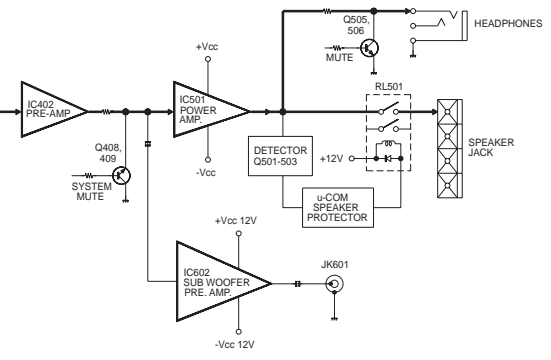
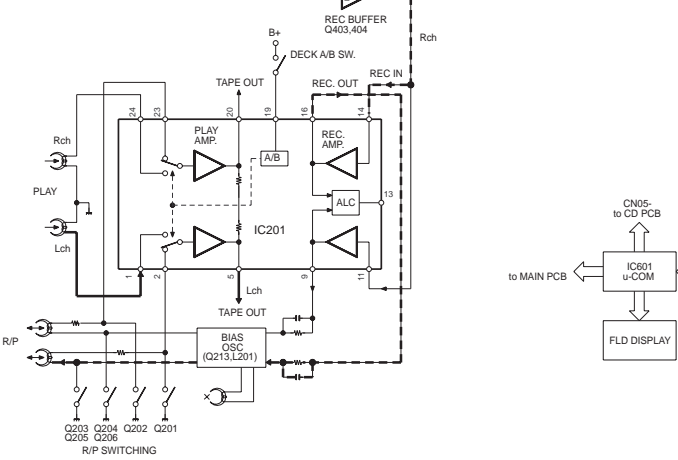
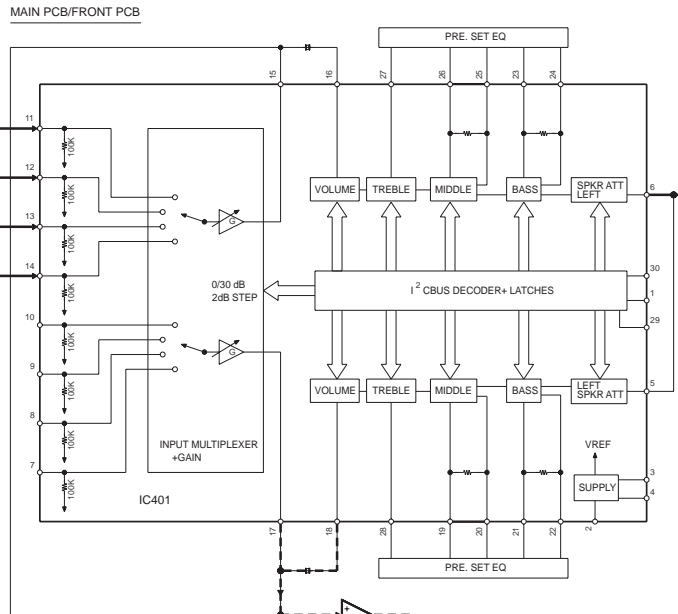
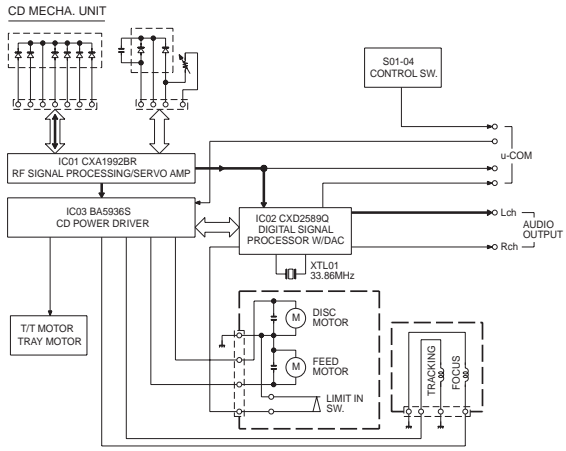
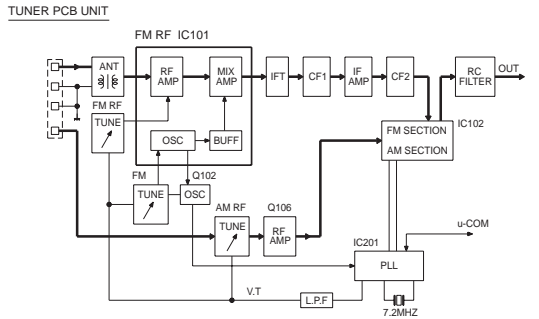
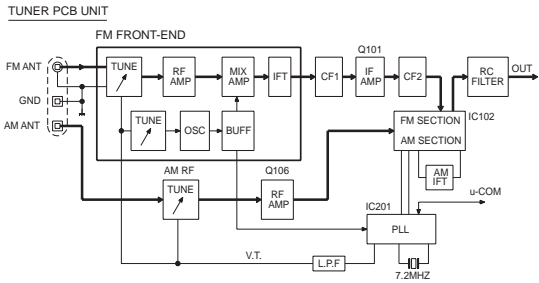
- Please note that resetting the microcomputer clears the contents stored in and returns and to condition when it left the factory.

# RXD-302/302E/352/352E/372S

## EXTERNAL VIEW



Illust. is RXD-352M.



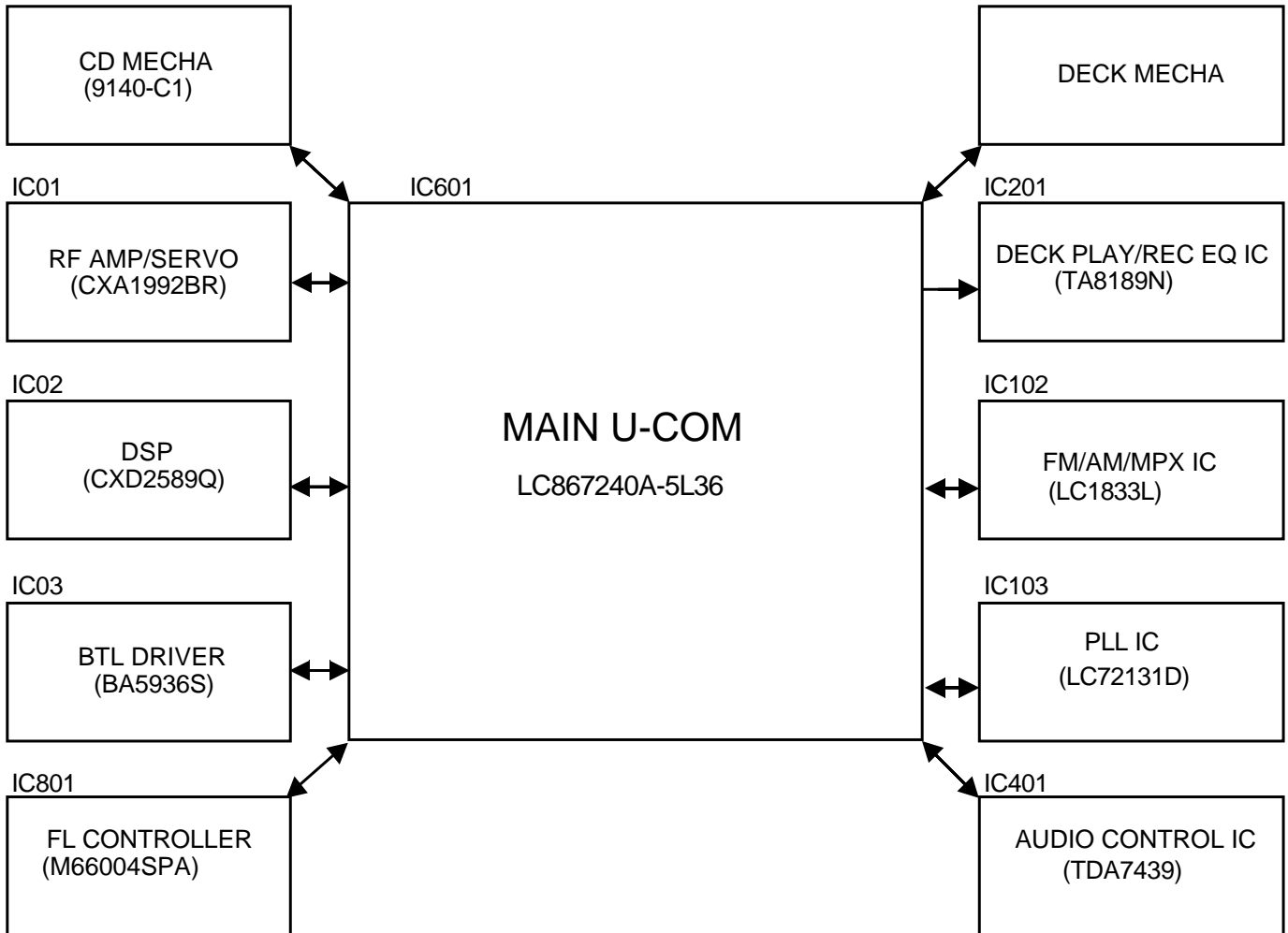
**BLOCK DIAGRAM**

**RXD-302/302E/352/352E/372S**

## CIRCUIT DESCRIPTION

### 1. Main microprocessor LC867240A-5L36(IC601)

#### 1-1 Microprocessor periphery block diagram



#### 1-2 VOLTAGE KEY/BAND MATRIX

INPUT VOLTAGE (V)	KEY 1 Pin19	KEY 2 Pin20	KEY 3 Pin21	DECK MODE SW Pin25	BAND SW Pin26
0	POWER	BAND	PLAY/PAUSE	1WAY/1WAY	M,M2,I,Y,X
0.29	INPUT	TUNING MODE	CD STOP	1WAY//REV.	K,P
0.61	EX. BASS	REC/ARM	DISC SKIP	REV./REV.	H
0.99	DISPLAY/DEMO	TAPE A/B	DISC 3	—	E2
1.38	MENU	TAPE PLAY	DISC 2	—	T
1.82	SELECT	TAPE STOP	DISC 1	—	Q
2.3	ENTER	FF	OPEN/CLOSE	—	—
2.77	—	REW	—	—	U1
< 2.77	—	—	—	—	U2

## 1-3 Pin description

Pin No.	Name	I/O	Description	Active
1	PLL-CE	O	CE OUTPUT (LC72131)	H: DATA L: ADDRESS
2	XRST	I	RESET (CXD2589Q)	L: ON
3	PLL-DO	O	DATA OUTPUT (LC72131)	
4	PLL-DI	I	PLL DATA INPUT (LC72131)	
5	PLL-CLK	O	CLK OUTPUT (LC72131)	
6	SO	O	DATA OUTPUT (CXD2589Q)	
7	SQSO	I	SUB CODE INPUT(CXD2589Q)	
8	SQCK	O	SUB CODE CLOCK OUTPUT (CXD2589Q)	
9	XLAT	O	LATCH OUTPUT (CXD2589Q)	
10	-	-	NOT USED	
11	SENS1	I	SENS1(CXD2589Q)	
12	RESET	I	uCOM RESET	H: NORMAL L: RESET
13	POWER DOWN	I	POWER DOWN INPUT	L: POWER DOWN
14	SENS2	I	SENS2(CXD2589Q)	
15	VSS	-	GND	
16,17	X1,2	-	Xtal 6.0MHz	
18	VDD1	-	+5V	
19-21	KEY1-3	I	KEY 1-3 INPUT	
22	VSS	-	GND	
23	L-METER L	I	LEVEL METER L,R	
24	-	I	NOT USED	
25	MODE-SW	I	DECK MODE SWITCH	
26	BAND	I	BAND SWITCH	
27	SCOR	I	SUB-CODE SYNCH DETECT (CXD2589Q)	
28	PROTEC	I	PROTECTION IN	H: PROTECT
29	REMOTE	I	REMOTE SIGNAL INPUT	L: ON
30,31	ENC A,B	I	VOLUME ENCODER INPUT A,B	
32	PIC-UP	I	PICK UP UP SWITCH	
33	PIC-DOWN	I	PICK UP DOWN SWITCH	
34	DISC-COUNT	I	DISC COUNTER SWITCH	
35	T.T-SW	I	TURNTABLE SWITCH	
36	TRAY-OPEN	I	TRAY OPEN SWITCH	
37	TRAY-CLOSE	I	TRAY CLOSE SWITCH	
38	MOTOR+	O	T.T./U.D MOTOR +	
39	MOTOR-	O	T.T./U.D MOTOR -	
40	TRAY-M +	O	TRAY MOTOR +	
41	TRAY-M -	O	TRAY MOTOR -	
42	T,T-MSP	O	TURNTABLE MOTOR SPEED	
43	CD-VDD	O	CD VDD CONTROL(BA5936S MUTE)	H: CD
44-51	-	O	NOT USED	
52	LED-STBY	O	LED STANDBY ON/OFF	L: ON
53	LED-TIMER	O	LED TIMER ON/OFF	L: ON
54,55	DECK A,B	I	DECK MECHA MODE SWITCH A,B	H: STOP L: PLAY
56	VDD	-	+5V	
57	VSS	-	GND	
58,59	HALF A,B	I	DECK MECHA HALF SWITCH A,B	L: EXSIT
60	REC-FEW-SW	I	REC FEW SWITCH	L: HOOK EXSIT

Pin No.	Name	I/O	Description	Active
61	REC-REV-SW	I	REC REV SWITCH	L: HOOK EXSIT
62	A-PH	I	A DECK REEL SENSOR	
63	B-PH	I	B DECK REEL SENSOR	
64	DECK VCC	O	DECK MECHA VCC	H: PLAY L: STOP
65	A SOL	O	A DECK SOLENOID CONTROL	H: ON L: OFF
66	B SOL	O	B DECK SOLENOID CONTROL	H: ON L: OFF
67	DUBBING	O	DUBBING CONTROL	H: DUBBING L: NORMAL
68	REC	O	REC CONTROL	H: REC L: OTHER
69	REC-MUTE	O	REC MUTE	H: OTHER L: REC
70	BIAS	O	BIAS ON/OFF CHANGEOVER CONTROL	H: REC L: OTHER
71	A/B	O	A/B DECK MECHA CHANGEOVER	H: A DECK L: B DECK
72	BEET CANCEL	O	REC BEET CANCEL	H: ON L: OFF
73	TAPE-MUTE	O	DECK PLAY OUTPUT MUTE	H: ON L: OFF
74-78	-	-	NOT USED	
79	SP-RLY	O	SPEAKER RELAY ON/OFF	H: ON L: OFF
80	-	-	NOT USED	
81	MODE-SW4	I	MODE SWITCH 4 SHORT WAVE	H: EXSIT L: NONE
82	VSS	-	GND	
83,84	ENC A,B	I	JOE ENCODER(MULTI CONTROL) A,B	L: ON
85	FOK	I	FOCUS OK OUTPUT (CXD2589Q)	H: ON
86	STEREO	I	FM STEREO IN	H: MONO L: STEREO
87	SDA	I/O	AUDIO CONTROL IC (TDA7439) DATA	
88	SCL	O	AUDIO CONTROL IC (TDA7439)CLOCK	
89	VSS2	-	GND	
90	VDD2	-	+5V	
91	-	-	NOT USED	
92	MUTE	O	SYSTEM MUTE	H: OFF L: ON
93	TUNER-MUTE	O	TUNER MUTE	H: ON L: OFF
94	AUDIO-MUTE	O	LINE (AUDIO) MUTE	H: ON L: OFF
95	EX. BASS	O	EX BASS CONTROL	H: ON L: OFF
96	-	-	NOT USED	
97	FL-CS	O	FL CONTROLLER (M66004DP) CS	L: ON
98	FL-RESET	I	FL CONTROLLER (M66004DP) RESET	L: ON
99	CLOCK	O	CLOCK OUTPUT (CXD2589Q)	
100	2589Q MUT	I	MUTING SIGNAL INPUT (CXD2589Q)	H: ON

## CIRCUIT DESCRIPTION

RXD-302/302E/352/352E/372S

## ADJUSTMENT

### FM SECTION (Except M2 type)

NO.	ITEM	INPUT SETTING	OUTPUT SETTING	TUNER SETTING	ALIGNMENT POINTS	ALIGN FOR	FIG.
1	AUTO STOP LEVEL	(A) 98.0 MHz MONO 1kHz, ±40kHz dev 30dBu (ANT input)		AUTO 98.0MHz	SFR101	Adjust SFR101 and stop at the point where FLD801(▽) goes ON.	

### FM SECTION (M2 type)

\* Europ version no Adjustment

NO.	ITEM	INPUT SETTING	OUTPUT SETTING	TUNER SETTING	ALIGNMENT POINTS	ALIGN FOR	FIG.
1.	IF	(A) 98 MHz, 1 kHz MOD ±75 KHz (DEV) 60 dBu (ANT INPUT)	(B)	98MHz	T101	Maximum output (Minimum distortion)	
2.	LOW END TRACKING	(A) 90MHz, 1 kHz MOD ±75 kHz (DEV) 35 dBu ( ANT INPUT)	(B)	90MHz	L102	Maximum output	
3.	HI END TRACKING	(A) 106MHz, 1 kHz MOD ±75 kHz (DEV) 35 dBu (ANT INPUT)	(B)	106MHz	TC101	Maximum output	
4.	VT	-	Connect the DC voltage meter to TP2.	87.5 MHz	L103	VT=1.0V±0.05V	
				108 MHz	-	Check the VT=7.0V±1.0V	

### MW SECTION (Except M2 type)

NO.	ITEM	INPUT SETTING	OUTPUT SETTING	TUNER SETTING	ALIGNMENT POINTS	ALIGN FOR	FIG.
1.	LOW END TRACKING	(A) 600 kHz or 603 kHz 1 kHz, 30% MOD 30 dBu (ANT INPUT)	(B)	600 kHz or 603 kHz	T103	Maximum output	
2.	HIGH END TRACKING	(A) 1400 kHz or 1404 kHz 1 kHz, 30% MOD 30 dBu (ANT INPUT)	(B)	1400 kHz or 1404 kHz	TC101	Maximum output	
3.	VT	-	Connect the DC voltage meter to TP1.	531 kHz	L104	VT=1.2V±0.05V	
				1602 kHz	-	Check the VT=7.3V±1.0V	

### MW SECTION (M2 type)

NO.	ITEM	INPUT SETTING	OUTPUT SETTING	TUNER SETTING	ALIGNMENT POINTS	ALIGN FOR	FIG.
1.	LOW END TRACKING	(A) 600 kHz or 603 kHz 1 kHz, 30% MOD 30 dBu (ANT INPUT)	(B)	600 kHz or 603 kHz	T104	Maximum output	
2.	HIGH END TRACKING	(A) 1400 kHz or 1404 kHz 1 kHz, 30% MOD 30 dBu (ANT INPUT)	(B)	1400 kHz or 1404 kHz	TC102	Maximum output	
3.	VT	-	Connect the DC voltage meter to TP2.	531 kHz	L105	VT=1.2V±0.05V	
				1602 kHz	-	Check the VT=7.3V±1.0V	

# RXD-302/302E/352/352E/372S

## ADJUSTMENT

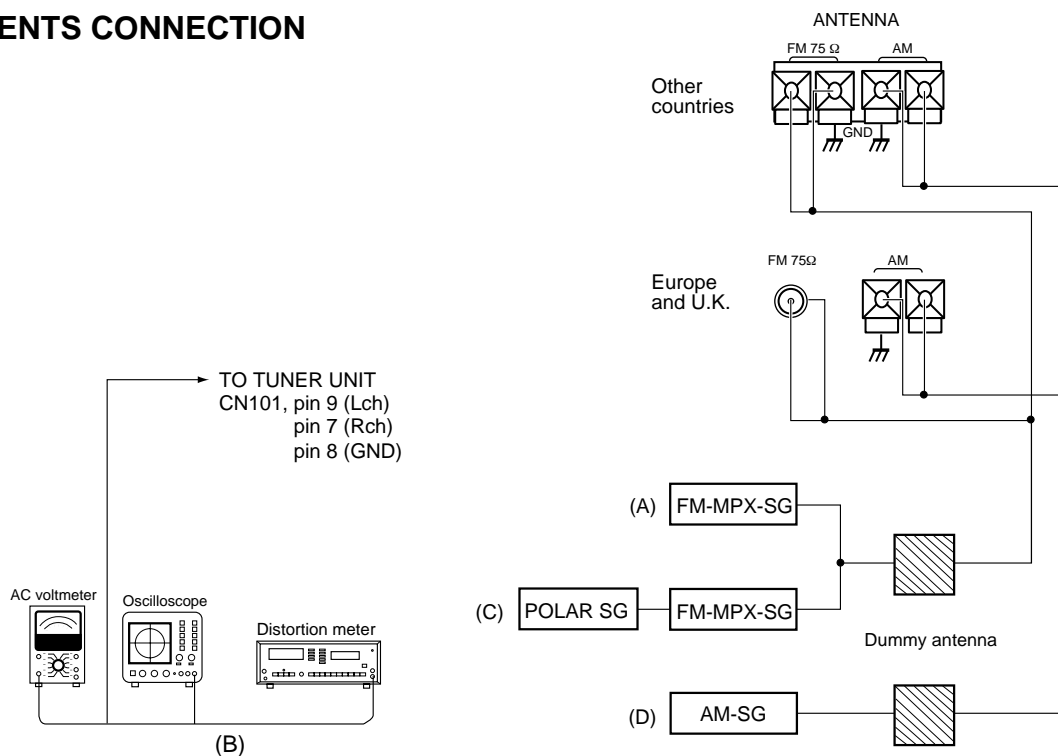
### SW SECTION (M2 type)

NO.	ITEM	INPUT SETTING	OUTPUT SETTING	TUNER SETTING	ALIGNMENT POINTS	ALIGN FOR	FIG.
1.	LOW END TRACKING	5.95 MHz 1 kHz, 30% MOD 30 dBu (ANT INPUT) (D)	(B)	5.95 MHz	L201	Maximum output	
2.	HIGH END TRACKING	17.9 MHz 1 kHz, 30% MOD 30 dBu (ANT INPUT) (D)	(B)	17.9 MHz	TC201	Maximum output	
3.	VT	-	Connect the DC voltage meter to TP2.	5.95 MHz	L202	VT=1.0V±0.05V	
				17.9 MHz	-	Check the VT=8.4V±1V	

### LW SECTION (T type)

NO.	ITEM	INPUT SETTING	OUTPUT SETTING	TUNER SETTING	ALIGNMENT POINTS	ALIGN FOR	FIG.
1.	LOW END TRACKING	162 kHz 1 kHz, 30% MOD 30 dBu (ANT INPUT) (D)	(B)	162 kHz	T105	Maximum output	
2.	HIGH END TRACKING	270 kHz 1 kHz, 30% MOD 30 dBu (ANT INPUT) (D)	(B)	270 kHz	TC103	Maximum output	
3.	VT	-	Connect the DC voltage meter to TP2.	153 kHz	T106	VT=1.0V±0.05V	
				279 kHz	-	Check the VT=5.0V±1.0V	

### INSTRUMENTS CONNECTION



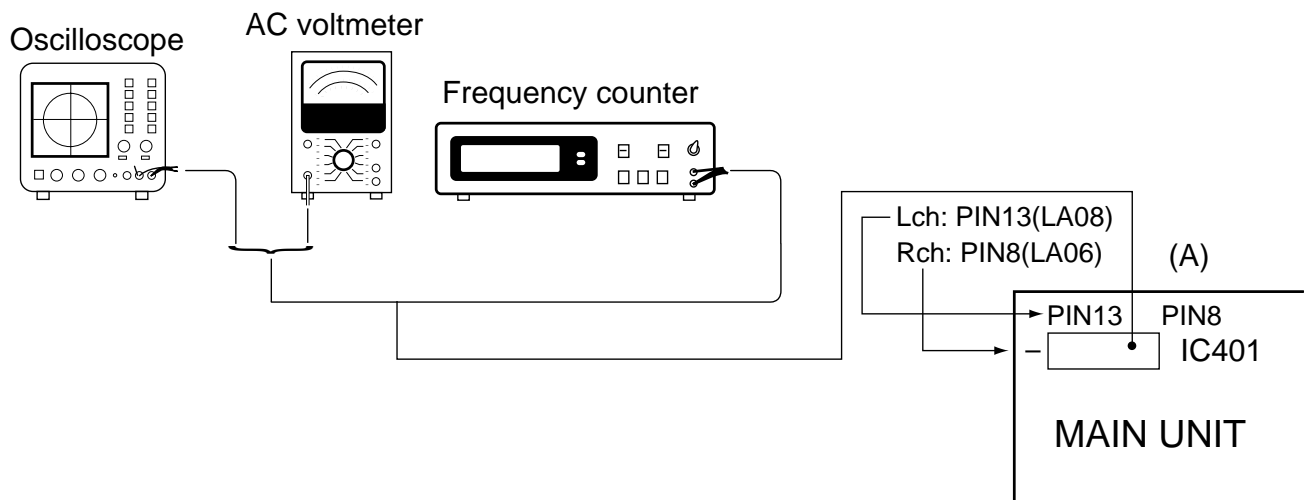


## ADJUSTMENT

### CASSETTE DECK SECTION

NO.	ITEM	INPUT SETTINGS	OUTPUT SETTINGS	CASSETTE TAPE DECK SETTINGS	ALIGNMENT POINT	ALIGN FOR	FIG.
Unless otherwise specified : each ; switch should be set as follows : BEAT SW : OFF I. Cassette mechanism section (REC/PB head adjustment)							0dBs = 0.775V
[1]	Demagnetization and cleaning	-	-	Power OFF, demagnetization, cleaning play	REC/PB head, erase head, capstan, pinch roller	Demagnetize the REC/PB head by head eraser. Clean the REC/PB head, erase head capstan and pinch roller with a cotton swab immersed in alcohol.	
[2]	REC/PB head azimuth	MTT-114, TCC-153 SCC-1727 10 kHz, -10dB	(A)	PLAY	Azimuth adjustment screw	In a setting wher the output is maximized, adjust the azimuth adjustment screw so that the Lissajous figure appearing on the oscilloscope screen comes near to a line slanted 45°. Note : The head should be installed in such a manner that it approaches the tape face.	
II. PC board adjustment							
< 1 >	Tape speed	MTT-111 TCC-100 SCC-1727 3 kHz, -4 dB	(A)	PLAY	SFR201	Adjust so that Frequency is 3 kHz at the center of the tape.	
< 2 >	Playback level	TCC-120 315 Hz 0dB	(A)	PLAY		Approx. -5dBm ※ reference level	
< 3 >	Recording level	Put standard test tape (TCC-120) into B deck.  Put standard blank tape into A deck.	(A)	Dubbing and playback.		Approx. -5dBm ※ reference level	

### INSTRUMENTS CONNECTION



# RXD-302/302E/352/352E/372S

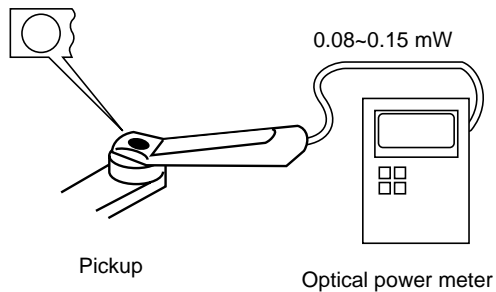
## ADJUSTMENT

### CD SECTION

No.	ITEM	INPUT SETTINGS	OUTPUT SETTINGS	PLAYER SETTINGS	ALIGNMENT POINTS	ALIGN FOR	FIG.
1	LASER POWER	-	Apply the sensor section of optical power meter on the pickup lens.	Press the PLAY/PAUSE key.	-	On the power from 0.08 to 0.15 mW, when the diffraction grating is correctly aligned with the RF level of 0.6 Vp-p or more.	(a)

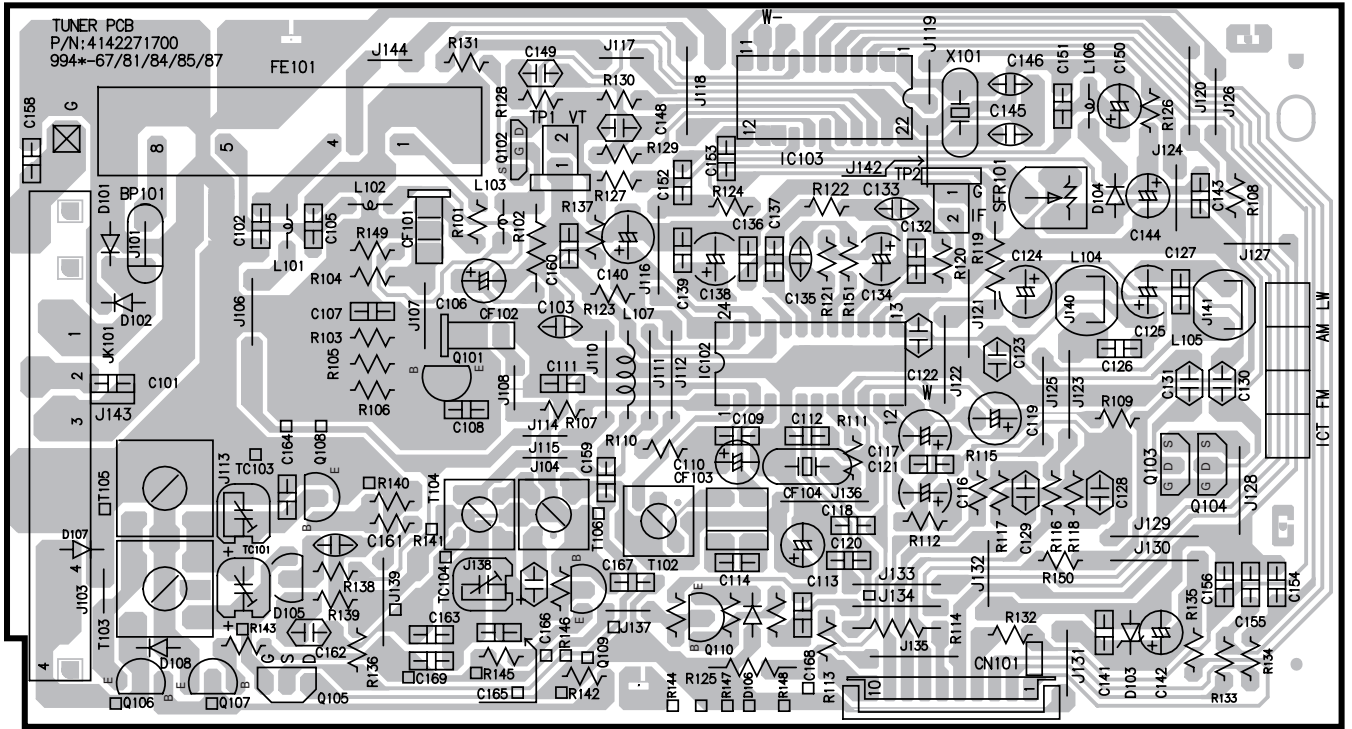
Note:  
Type 4 disc : SONY YEDS-18 Test Disc or equivalent.(KTD-0\*)

### (a) Laser power

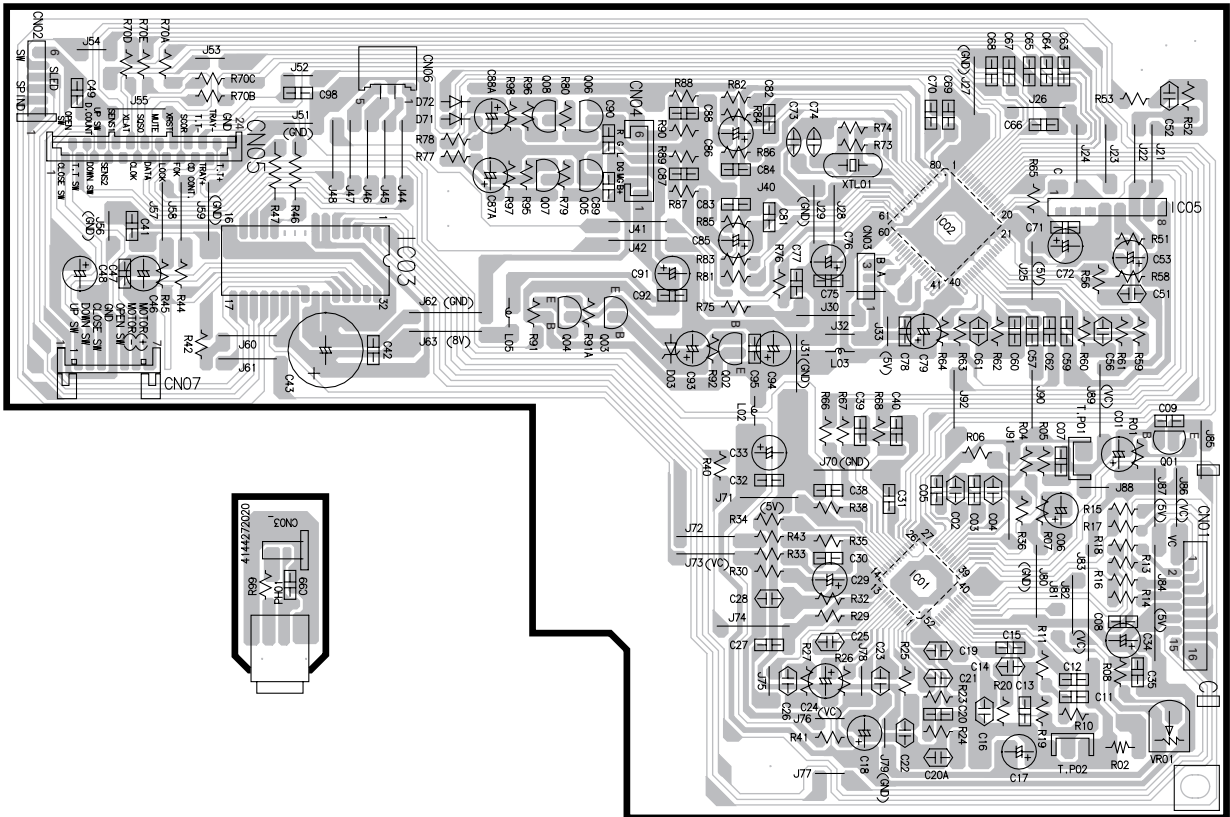


# PC BOARD(Component side view)

## TUNER UNIT



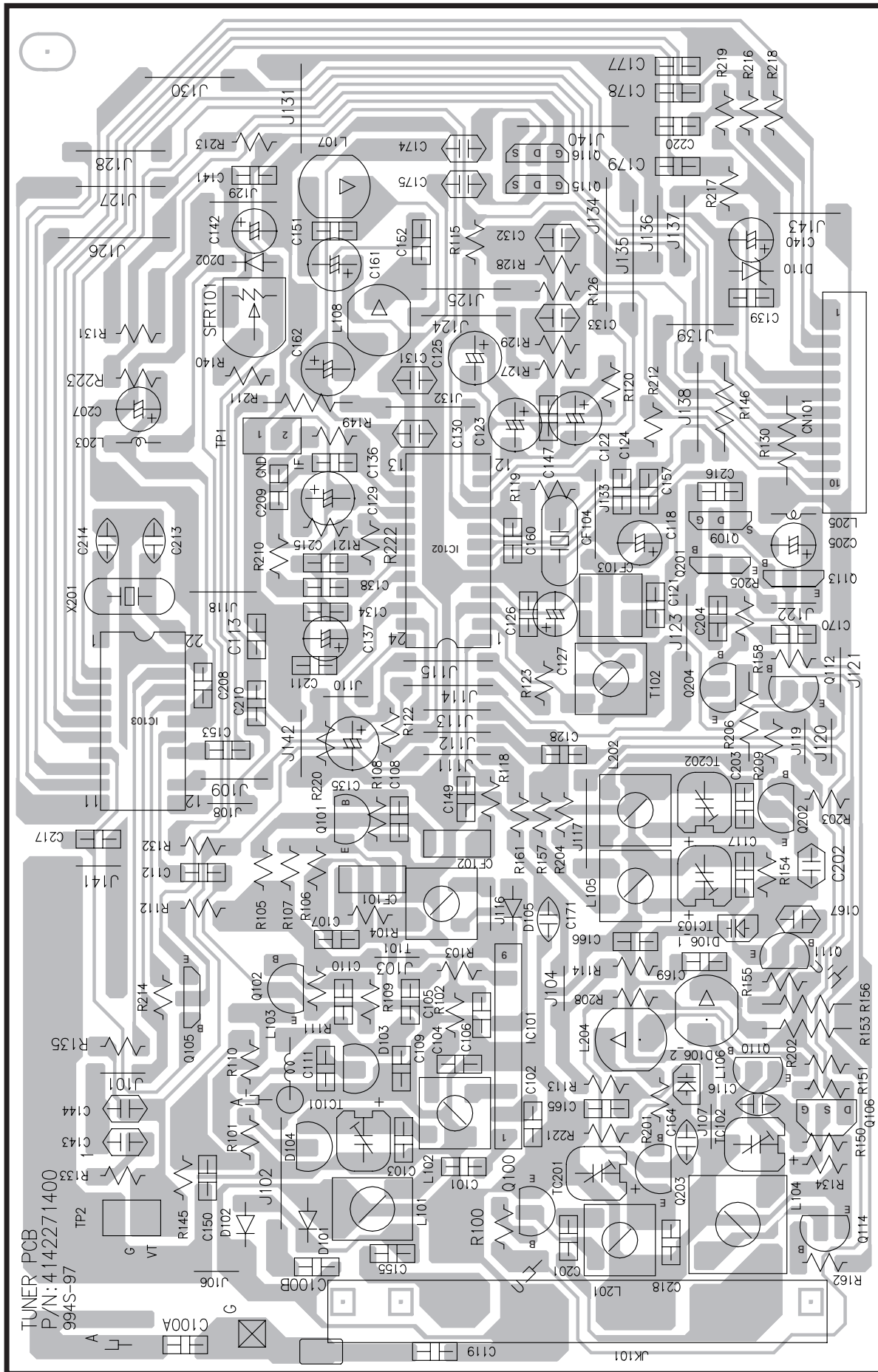
## CD UNIT



Refer to the schematic diagram for the value of resistors and capacitors.

# PC BOARD(Component side view)

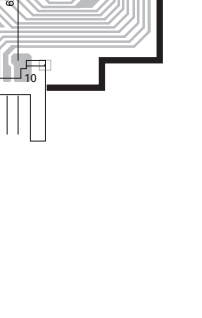
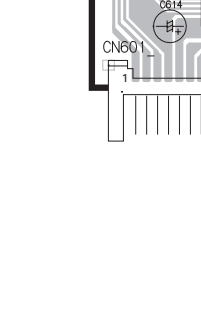
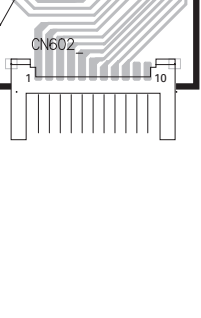
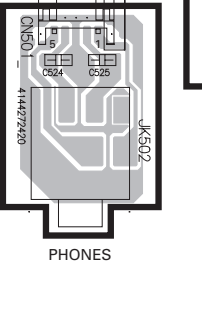
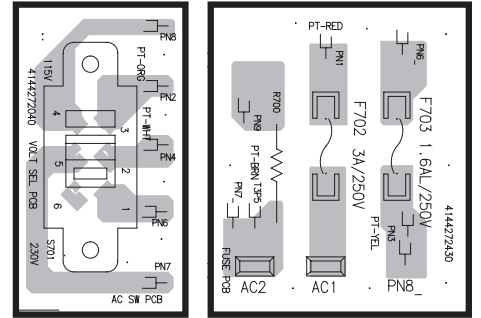
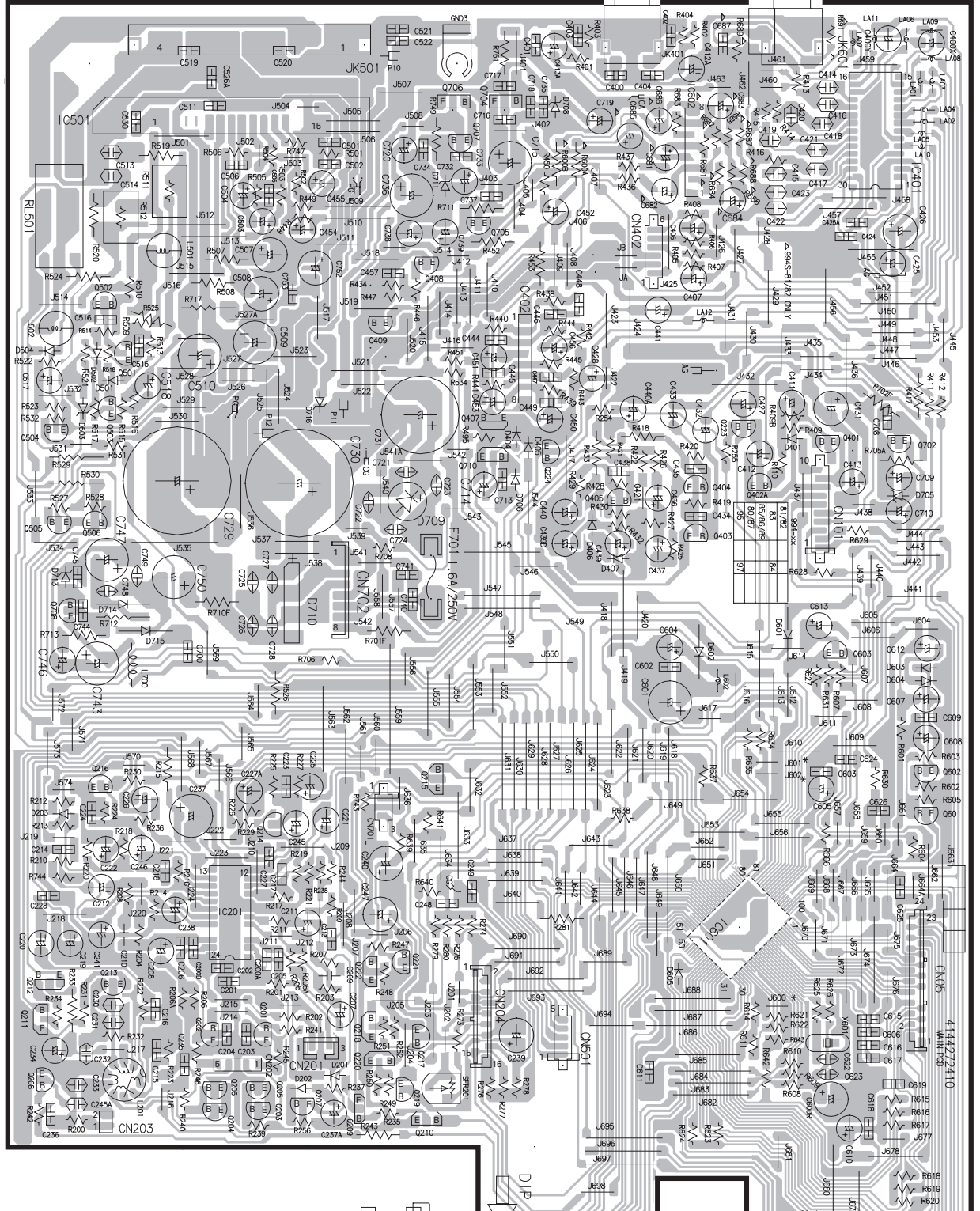
# TUNER UNIT



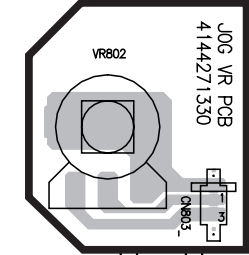
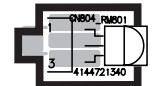
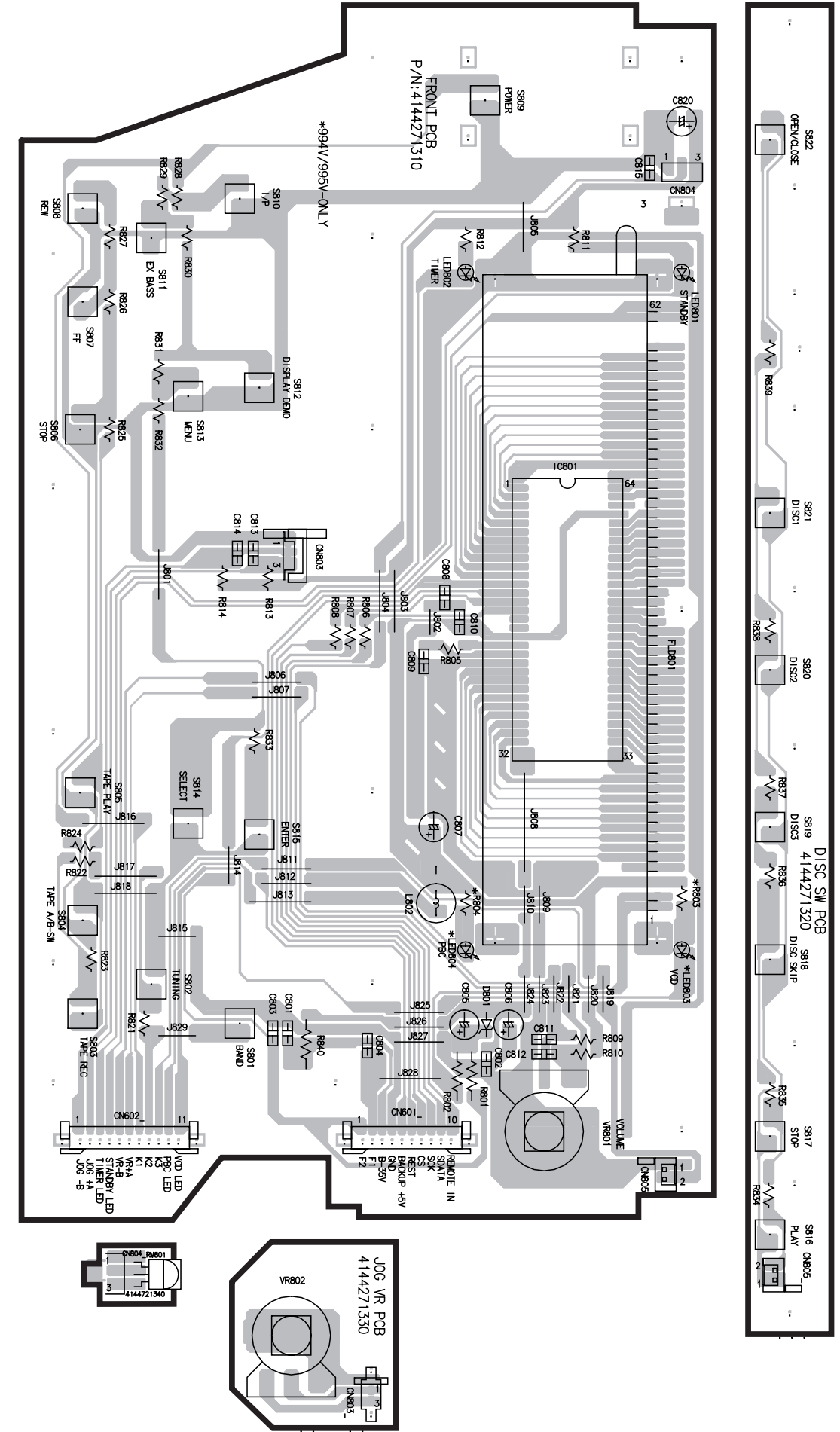
Refer to the schematic diagram for the value of resistors and capacitors.

# PC BOARD(Component side view)

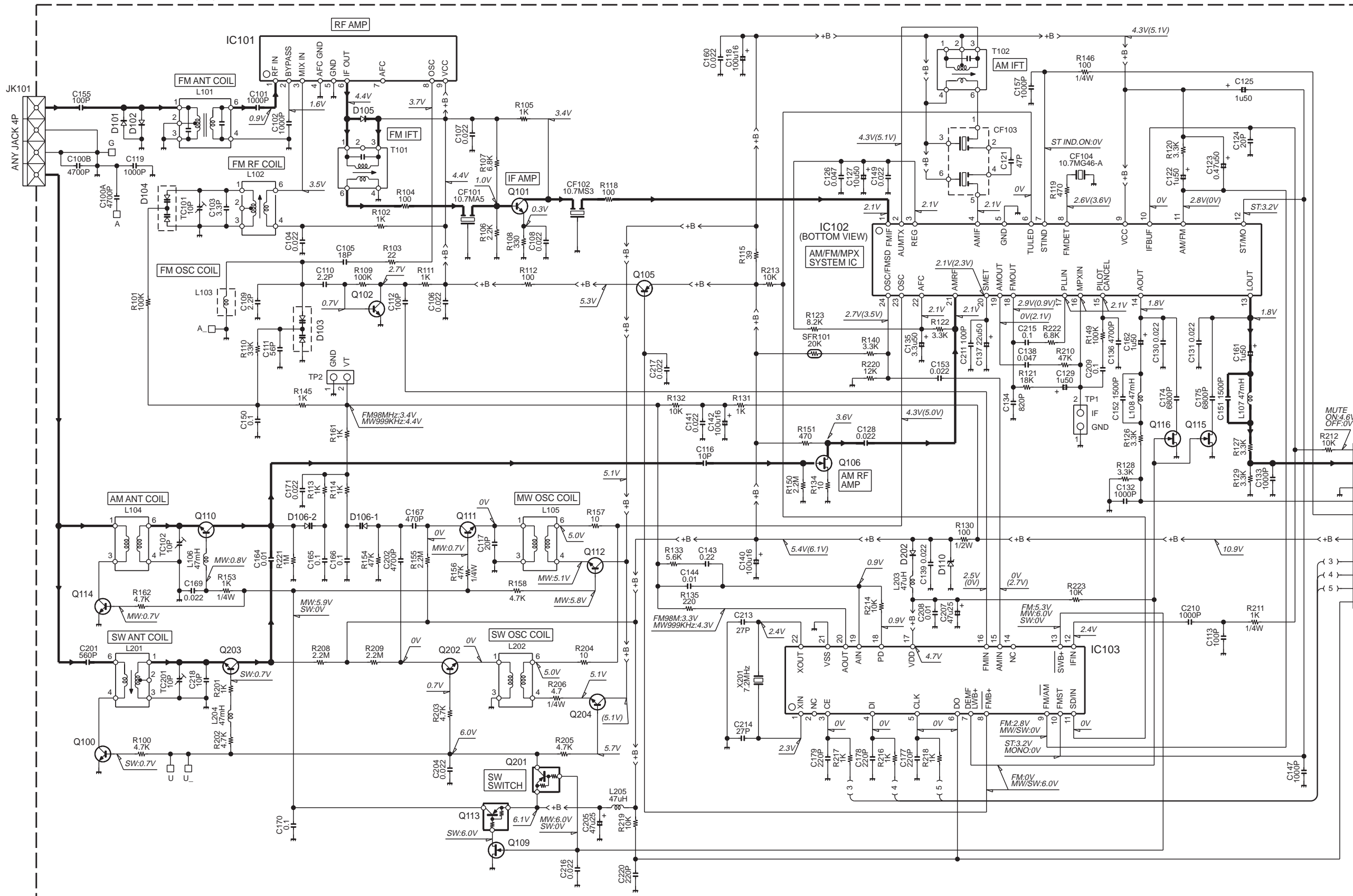
## MAIN UNIT



## FRONT UNIT

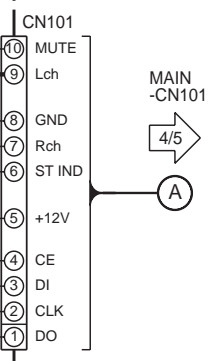


Refer to the schematic diagram for the value of resistors and capacitors.



- IC101 : LA1186N
- IC102 : LA1833
- IC103 : LC72131
- Q100,114 : 2SC2001L
- Q101 : 2SC1675L
- Q102 : 2SC1674L
- Q105 : DTA114YS
- Q106 : 2SK544F-T
- Q109,115,116 : 2SK2541
- Q110-112,202-204 : 2SC2878A
- Q113,201 : DTA144ES
- D101,102,105,202 : 1SS133
- D103,104 : SVC211SPA
- D106 : KV1561A-2
- D110 : MTZJ6.2B

— SIGNAL LINE  
 <+B— +B LINE



**CAUTION:** For continued safety, replace safety critical components only with manufacturer's recommended parts (refer to parts list).  $\Delta$  indicates safety critical components. For continued protection against risk of fire, replace only with same type and rating fuse(s). To reduce the risk of electric shock, leakage-current or resistance measurements shall be carried out (exposed parts are acceptably insulated from the supply circuit) before the appliance is returned to the customer.

The DC voltage is an actual reading measured with a high impedance type voltmeter as the AM/FM signal generator is specified to the conditions as shown in the list below. The measurement value may vary depending on the measuring instruments used or on the product. The value shown in ( ) is actual reading measured in the AM mode.

MODE	CARRIER	MODULATION		ANT INPUT
		FREQUENCY	DEVIATION	
FM	98MHz	1kHz	STEREO 67.5kHz 7.5kHz(Pilot)	60dB
AM	1000(999)kHz	400Hz	MONO 30% MOD	60dB

**RXD-302/302E/352/352E/372S**

Y39-3522-71

**KENWOOD**

RXD-302 (994B-85)

DESTINATION	CAPE No.	C101	C130, 131	R102	R150	Q103, 104	FE101	JK101	BP101	
EUROPE	E3	B-85	YES	NO	68 1/2W	NO	NO	W02-2681-08	E20-0321-05	YES

RXD-302E (994B-86)

DESTINATION	CAPE No.	C101	C130, 131	R102	R150	Q103, 104	FE101	JK101	BP101	
EUROPE	E4	B-86	YES	NO	68 1/2W	NO	NO	W02-2681-08	E20-0321-05	YES

RXD-352 (994X-XX)

DESTINATION	CAPE No.	C101	C130, 131	R102	R150	Q103, 104	FE101	JK101	BP101	
U.K.	T	S-84	YES	NO	68 1/2W	NO	NO	W02-2681-08	E20-0321-05	YES
EUROPE	E	S-85	NO	NO	680 1/4W	NO	NO	W02-2714-08	E20-0070-08	NO
GENERAL MARKET	M	S-87	YES	NO	680 1/4W	YES	YES	W02-2714-08	E20-0070-08	NO
AUSTRALIA	X	S-89	NO	NO	680 1/4W	NO	NO	W02-2714-08	E20-0070-08	NO
PX	Y	S-80	YES	NO	680 1/4W	YES	YES	W02-2714-08	E20-0070-08	NO

RXD-352E (994S-86)

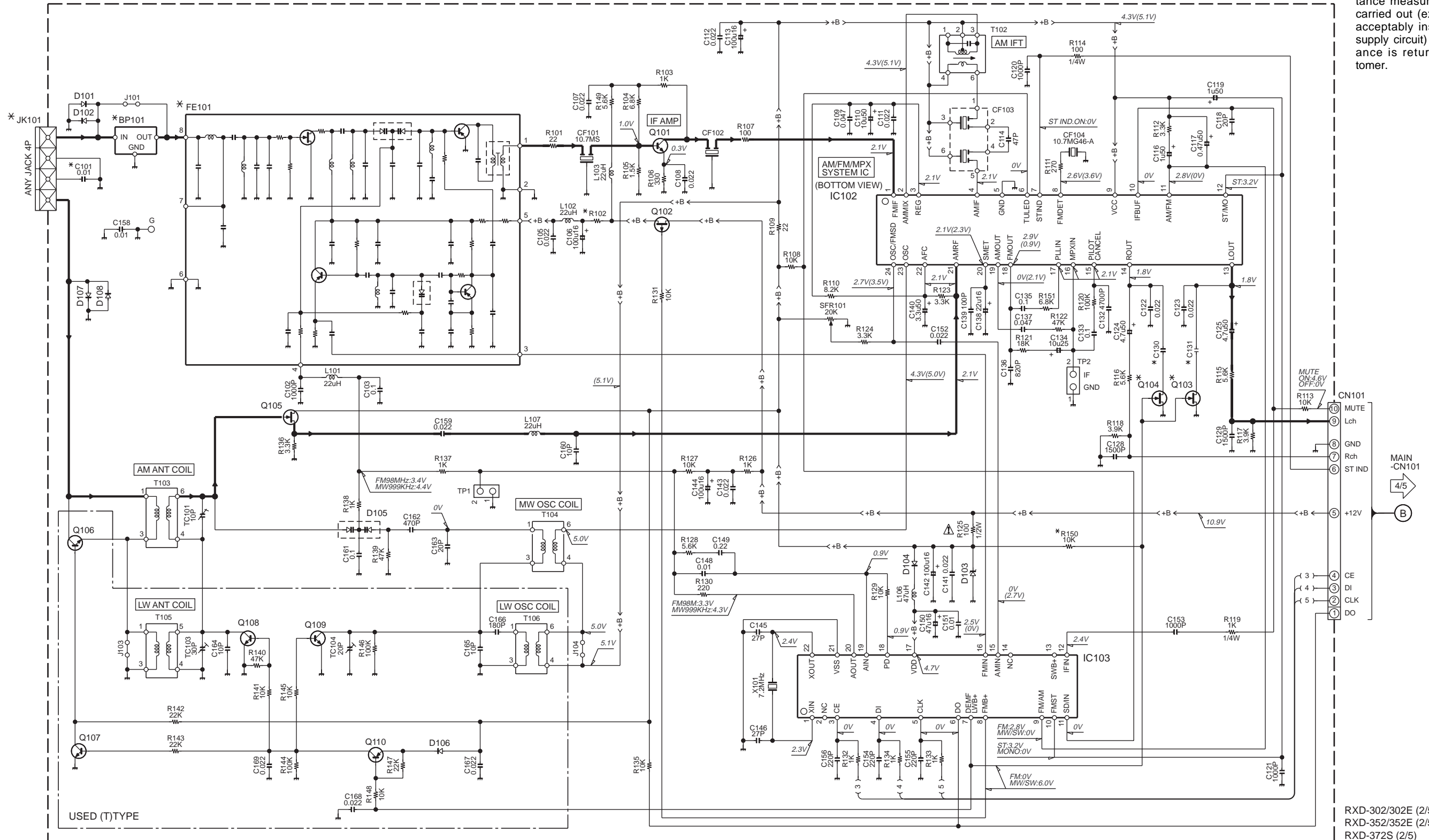
DESTINATION	CAPE No.	C101	C130, 131	R102	R150	Q103, 104	FE101	JK101	BP101	
EUROPE	E2	S-86	YES	NO	68 1/2W	NO	NO	W02-2681-08	E20-0321-05	YES

IC102	: LA1833
IC103	: LC72131
Q101	: 2SC1675L
Q102	: 2SJ460
Q103,104	: 2SK2541
Q105	: 2SK544F
Q106	: 2SC001L
Q107	: 2SC945

Q108,109	: 2SC2001L	
Q110	: 2SA733	
D101,102,104,	106-108	: 1SS133
D103	: MTZJ5.6B	
D105	: SVC348S-TL	

**CAUTION:** For continued safety, replace safety critical components only with manufacturer's recommended parts (refer to parts list).  $\Delta$  indicates safety critical components. For continued protection against risk of fire, replace only with same type and rating fuse(s). To reduce the risk of electric shock, leakage-current or resistance measurements shall be carried out (exposed parts are acceptably insulated from the supply circuit) before the appliance is returned to the customer.

TUNER UNIT : RXD-302(E3)/302E(E4)/352(T,E,M,X,Y)/352E(E2)



USED (T)TYPE

RXD-302/302E (2/5)  
 RXD-352/352E (2/5)  
 RXD-372S (2/5)

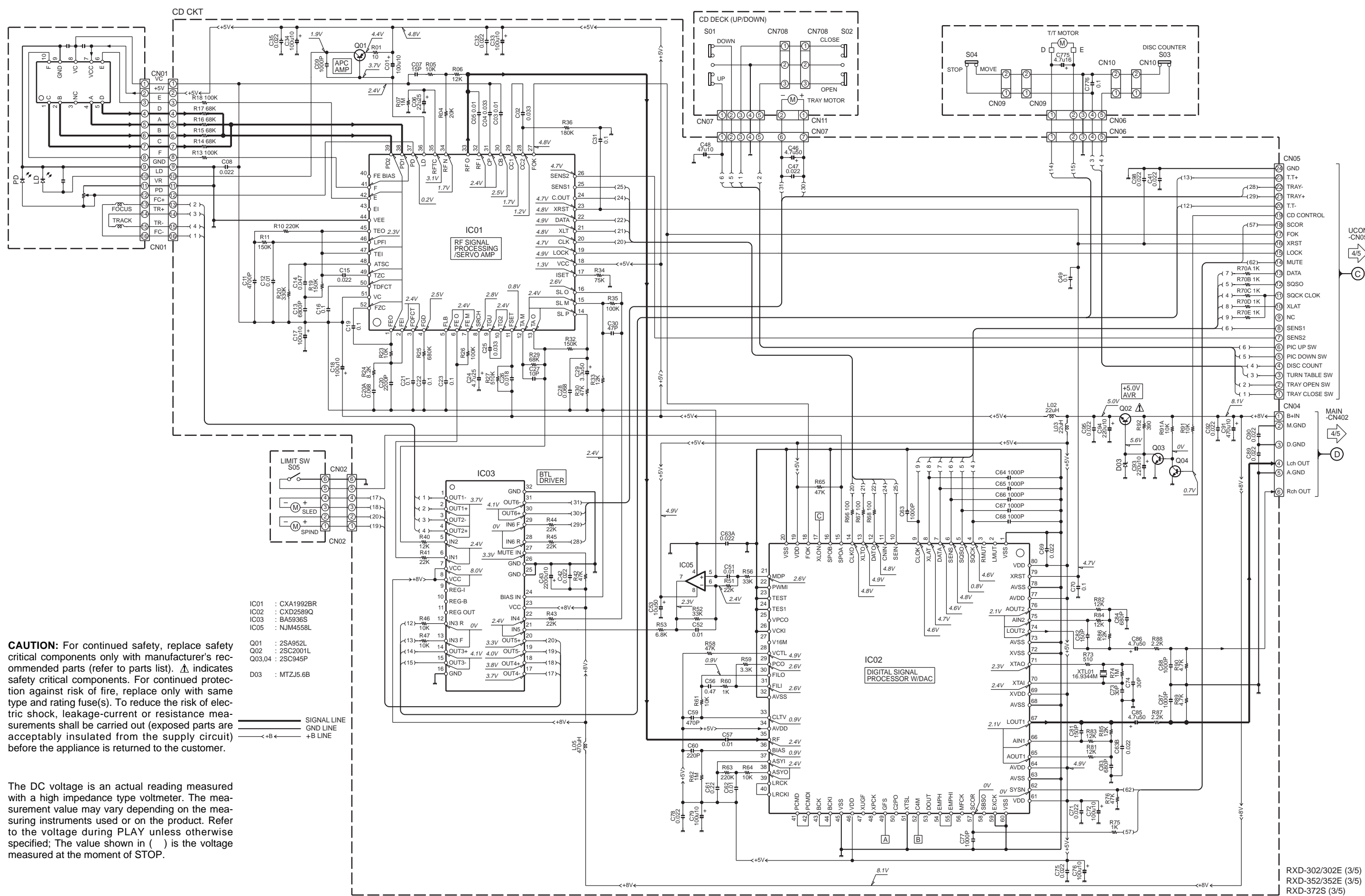
The DC voltage is an actual reading measured with a high impedance type voltmeter as the AM/FM signal generator is specified to the conditions as shown in the list below. The measurement value may vary depending on the measuring instruments used or on the product. The value shown in ( ) is actual reading measured in the AM mode.

MODE	CARRIER	MODULATION		ANT INPUT
		FREQUENCY	DEVIATION	
FM	98MHz	1kHz	STEREO 67.5kHz 7.5kHz(Pilot)	60dB
AM	1000(999)kHz	400Hz	MONO 30% MOD	60dB

Y39-3522-71

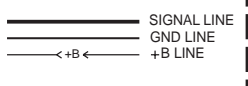
RXD-302/302E/352/352E/372S

KENWOOD



**CAUTION:** For continued safety, replace safety critical components only with manufacturer's recommended parts (refer to parts list).  $\Delta$  indicates safety critical components. For continued protection against risk of fire, replace only with same type and rating fuse(s). To reduce the risk of electric shock, leakage-current or resistance measurements shall be carried out (exposed parts are acceptably insulated from the supply circuit) before the appliance is returned to the customer.

- IC01 : CXA1992BR
- IC02 : CXD2589Q
- IC03 : BA5936S
- IC05 : NJM4558L
- Q01 : 2SA952L
- Q02 : 2SC2001L
- Q03,04 : 2SC945P
- D03 : MTZJ5.6B



The DC voltage is an actual reading measured with a high impedance type voltmeter. The measurement value may vary depending on the measuring instruments used or on the product. Refer to the voltage during PLAY unless otherwise specified; The value shown in ( ) is the voltage measured at the moment of STOP.

# RXD-302/302E/352/352E/372S

Y39-3522-71

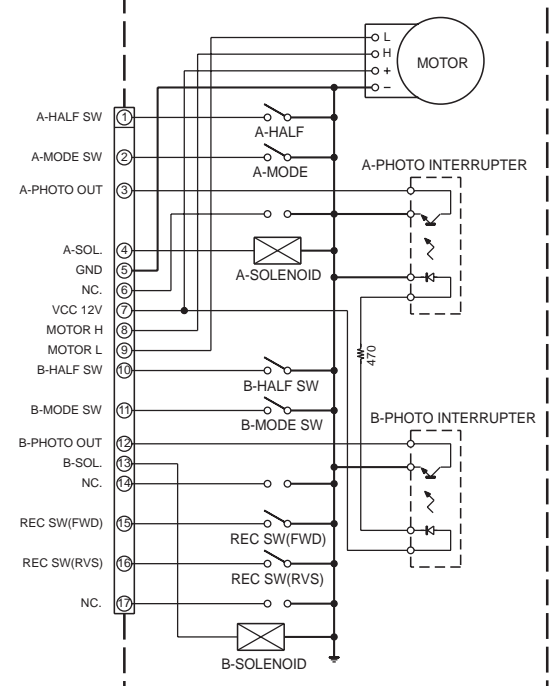
**KENWOOD**

RXD-302/302E (3/5)  
 RXD-352/352E (3/5)  
 RXD-372S (3/5)





CASSETTE DECK MECHA. ASSY



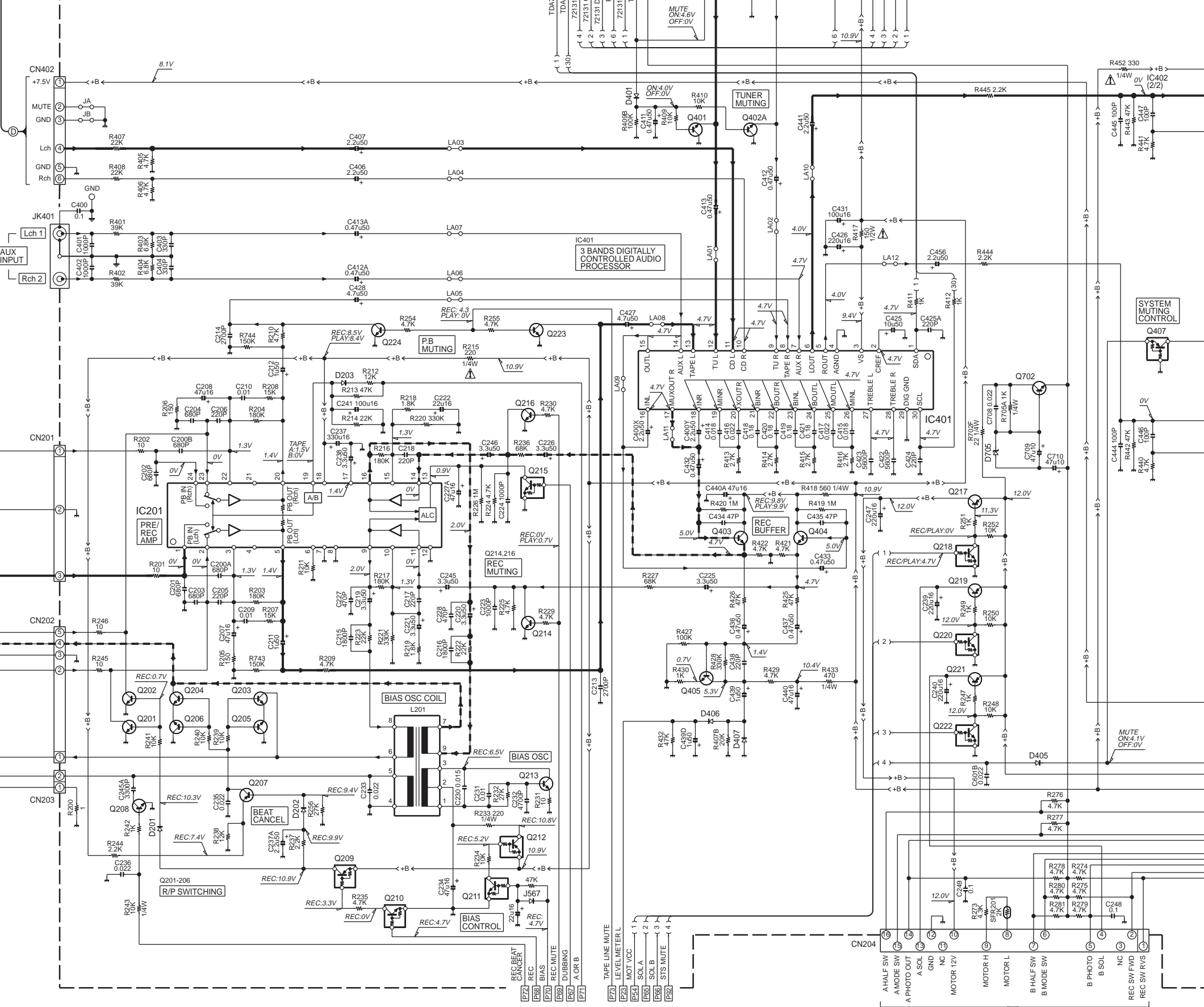
- IC201 : TAB189N
- IC401 : TDA7439
- IC402,602 : NJM4558L
- IC501 : STK407-040

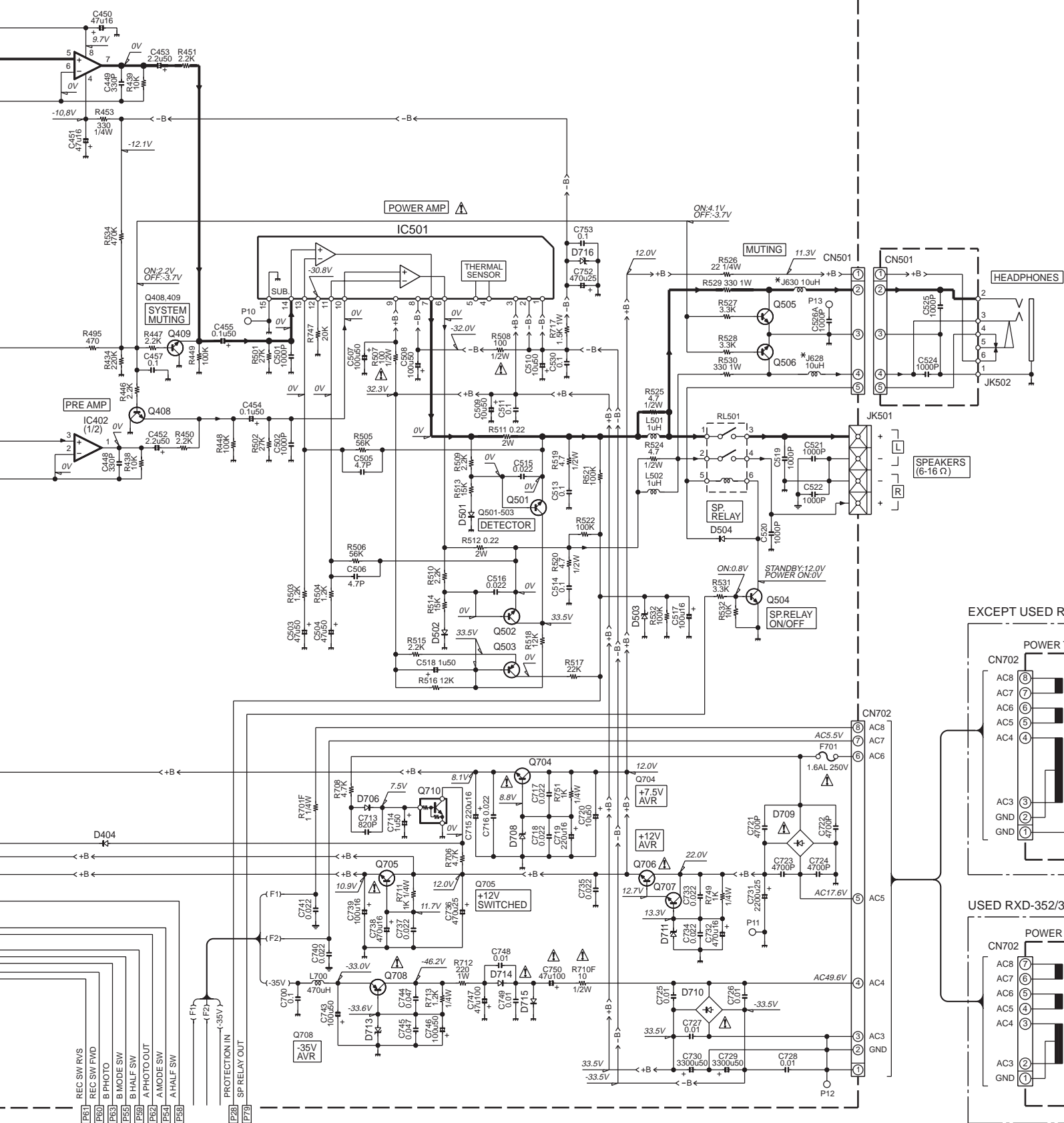
- Q201-206,208,214,216,223,224,401,402A,403-405,504 : 2SC945P
- Q207,209,212,407 : DTA114ES
- Q210,211 : 2SK2541
- Q213,702,705 : 2SC2001L
- Q215,218,220,222,710 : DTC114ES
- Q217,219,221 : 2SA934R
- Q408,409,505,506 : 2SC2878A
- Q501,502 : 2SC1841E
- Q503 : 2SA988F
- Q704,706 : 2SD882P
- Q708 : 2SA965Y

- D201-203,401,404-407,501,502,504,706 : 1SS133
- D503 : MTZJ5.1B
- D705 : MTZJ6.2B
- D708 : MTZJ9.1B
- D709 : W02G
- D710 : GBU4D
- D711 : MTZJ13B
- D713 : MTZJ33B
- D714,715 : 1N4002L
- D716 : MTZJ12B



MAIN PCB





RXD-352 (994X-XX)

DESTINATION	COUNTRY	ABB.	UNIT No.	F702	F703	J628, 630
U.K.	T	S-84	T1.6A 250V	NO	YES	
EUROPE	E	S-85	T1.6A 250V	YES	NO	
GENERAL MARKET	M	S-87	T3.15AL 250V	YES	NO	
AUSTRALIA	X	S-89	T1.6A 250V	NO	NO	
PX	Y	S-80	T3.15AL 250V	YES	NO	

RXD-352E (994S-86)

DESTINATION	COUNTRY	ABB.	UNIT No.	F702	F703	J628, 630
EUROPE	E2	S-86	T1.6A 250V	NO	YES	

RXD-372S (994S-97)

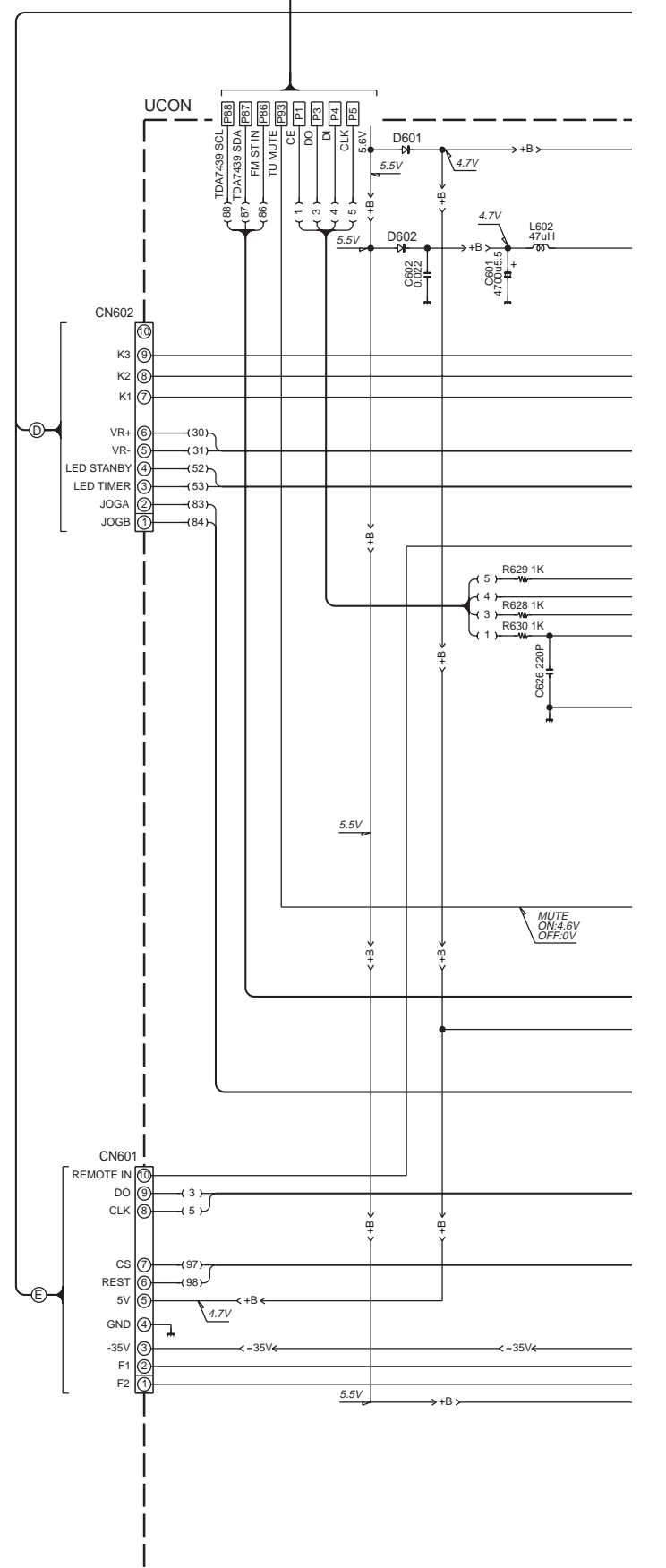
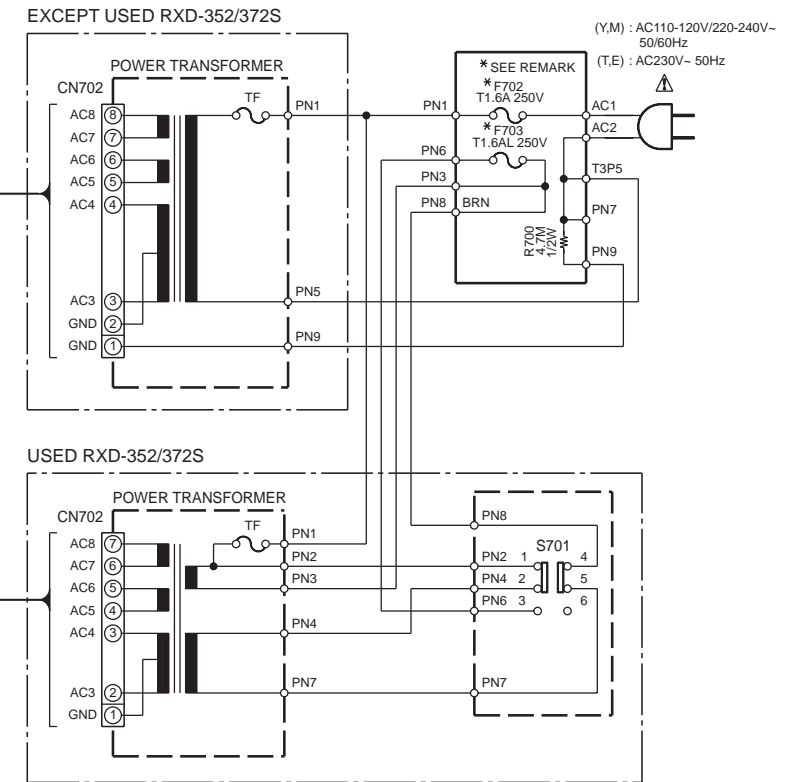
DESTINATION	COUNTRY	ABB.	UNIT No.	F702	F703	J628, 630
GENERAL MARKET	M2	S-97	T3.15AL 250V	YES	NO	

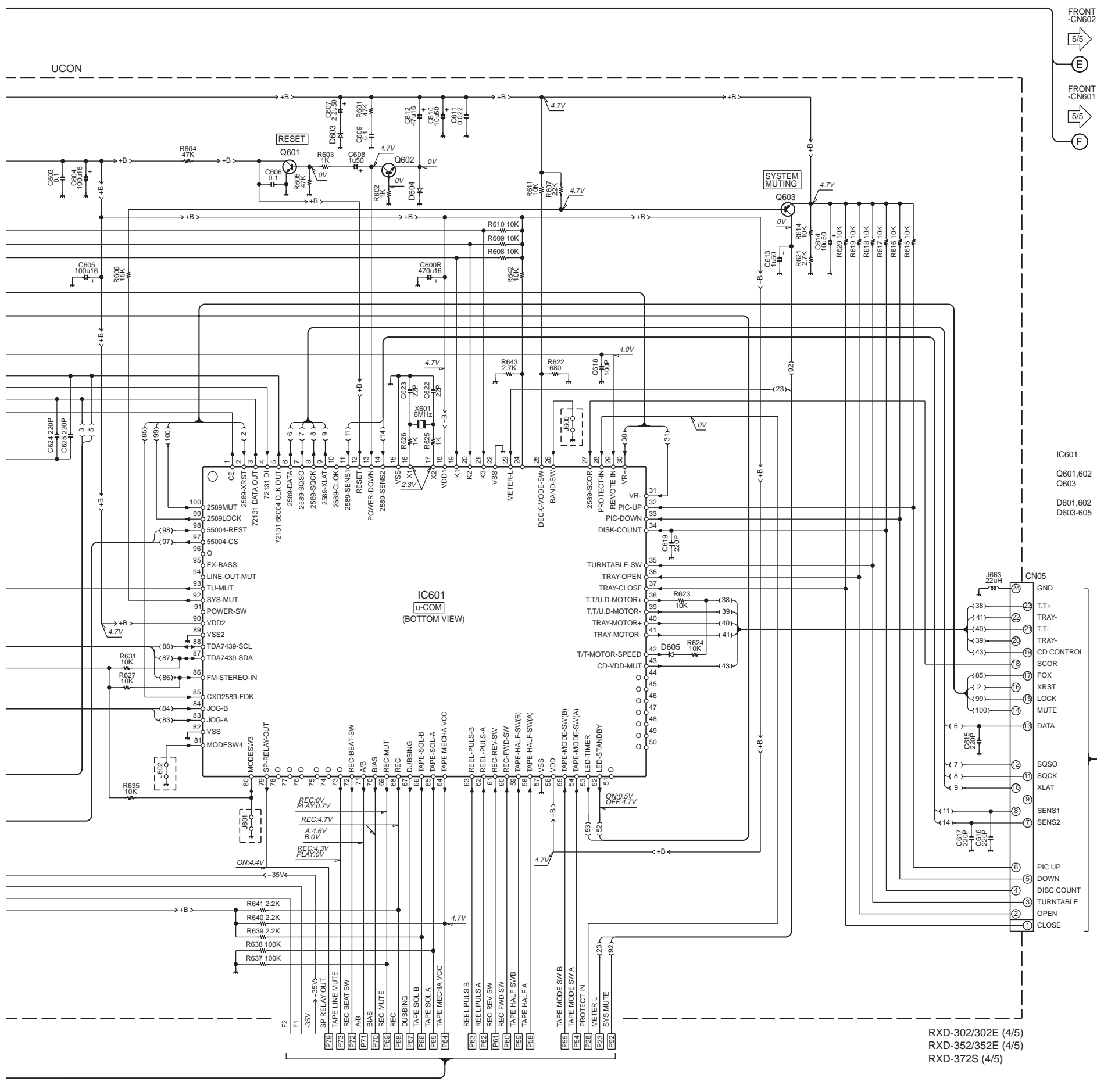
RXD-302 (994B-85)

DESTINATION	COUNTRY	ABB.	UNIT No.	F702	F703	J628, 630
EUROPE	E3	B-85	T1.6A 250V	NO	YES	

RXD-302E (994B-86)

DESTINATION	COUNTRY	ABB.	UNIT No.	F702	F703	J628, 630
EUROPE	E4	B-86	T1.6A 250V	NO	YES	



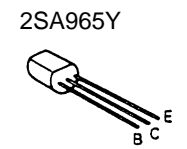


**CAUTION:** For continued safety, replace safety critical components only with manufacturer's recommended parts (refer to parts list).  $\Delta$  indicates safety critical components. For continued protection against risk of fire, replace only with same type and rating fuse(s). To reduce the risk of electric shock, leakage-current or resistance measurements shall be carried out (exposed parts are acceptably insulated from the supply circuit) before the appliance is returned to the customer.

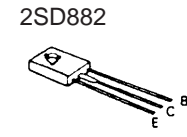
The DC voltage is an actual reading measured with a high impedance type voltmeter with a cassette loaded at playback mode. The measurement value may vary depending on the measuring instruments used or on the product. Bias circuit DC voltage is measured while in the record mode.

DOLBY and the double-D symbol are trademarks of Dolby Laboratories Licensing Corporation. Noise reduction circuit made under license from Dolby Laboratories Licensing Corporation.

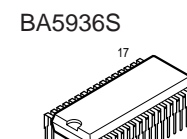
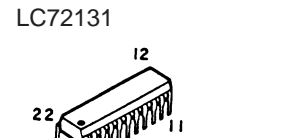
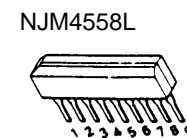
- IC601 : LC867240A-5L36
- Q601,602 : 2SC945P
- Q603 : 2SA733P
- D601,602 : 1N4002L
- D603-605 : 1SS133



- 2SA733
- 2SA934R
- 2SA988
- 2SC1674
- 2SC1675
- 2SC1841
- 2SC2001
- 2SC2878A
- 2SC945



- DTA114ES
- DTA114YS
- DTA144ES
- DTC114ES



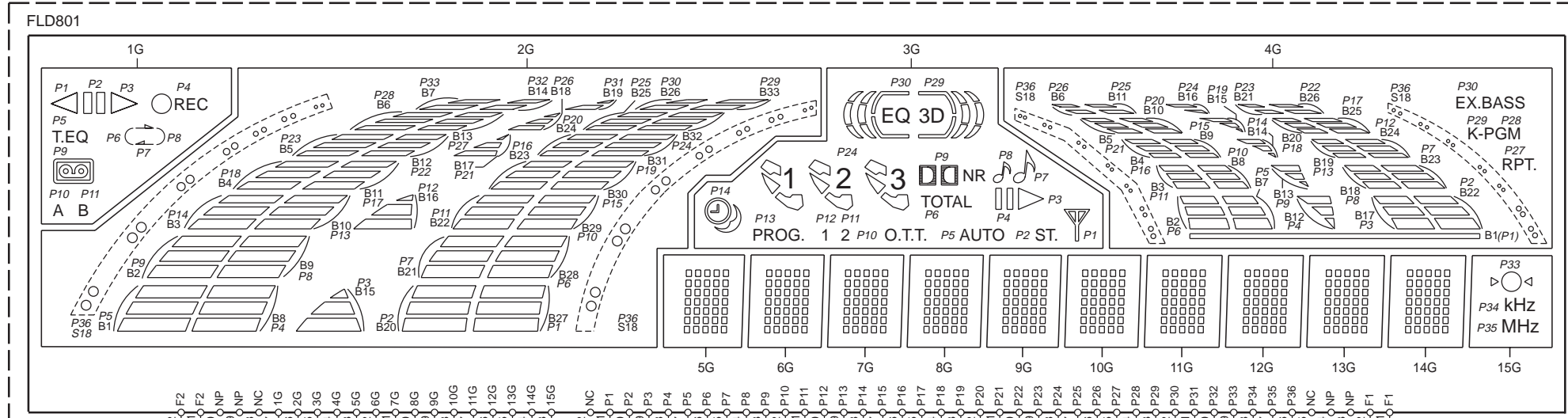
- RXD-302/302E (4/5)
- RXD-352/352E (4/5)
- RXD-372S (4/5)

Y39-3522-71

# RXD-302/302E/352/352E/372S

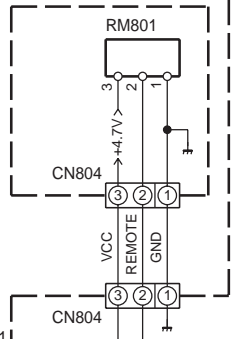
**KENWOOD**

FRONT PCB

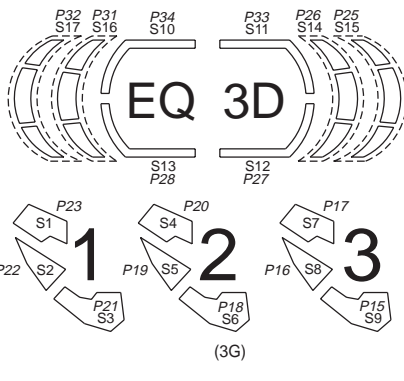
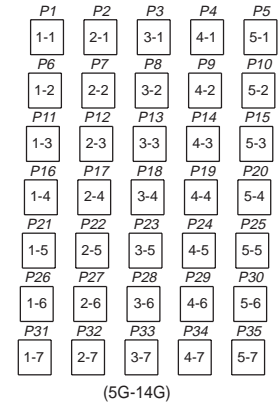
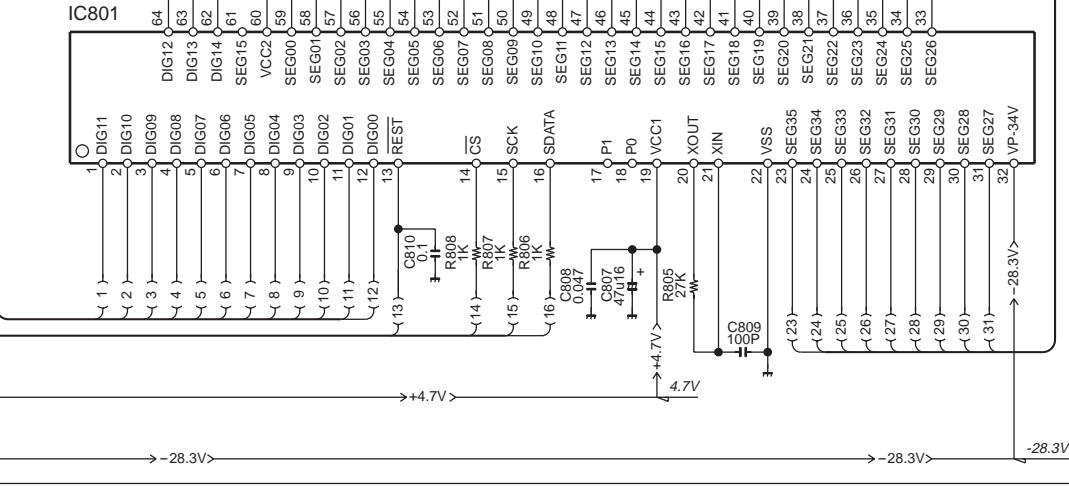


- IC801 : M66004SPA
- D801 : MTZJ5.6B
- LED801,802 : B30-2559-08
- +B LINE
- B LINE

SENSOR PCB



FL CONTROLLER



UICON -CN601

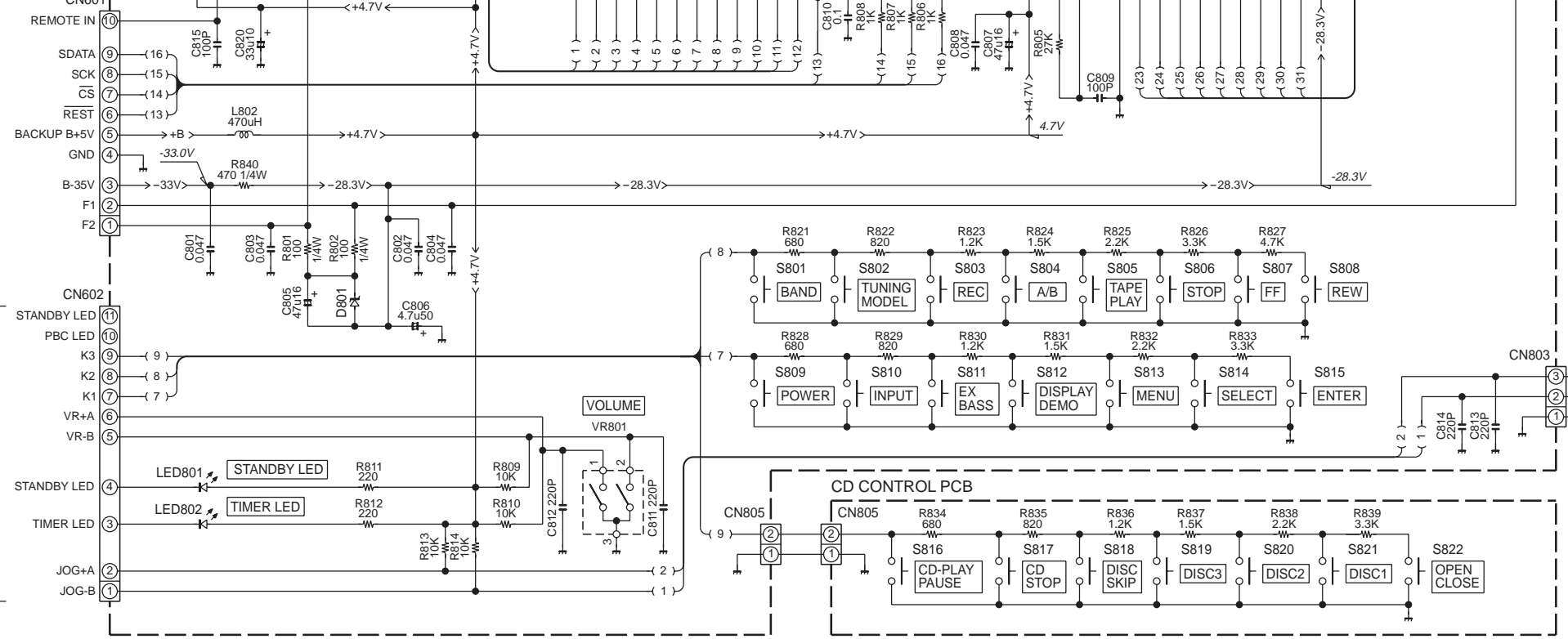
4/5

F

UICON -CN602

4/5

E



**CAUTION:** For continued safety, replace safety critical components only with manufacturer's recommended parts (refer to parts list).  $\Delta$  indicates safety critical components. For continued protection against risk of fire, replace only with same type and rating fuse(s). To reduce the risk of electric shock, leakage-current or resistance measurements shall be carried out (exposed parts are acceptably insulated from the supply circuit) before the appliance is returned to the customer.

The DC voltage is an actual reading measured with a high impedance type voltmeter with no signal input. The measurement value may vary depending on the measuring instruments used or on the product.

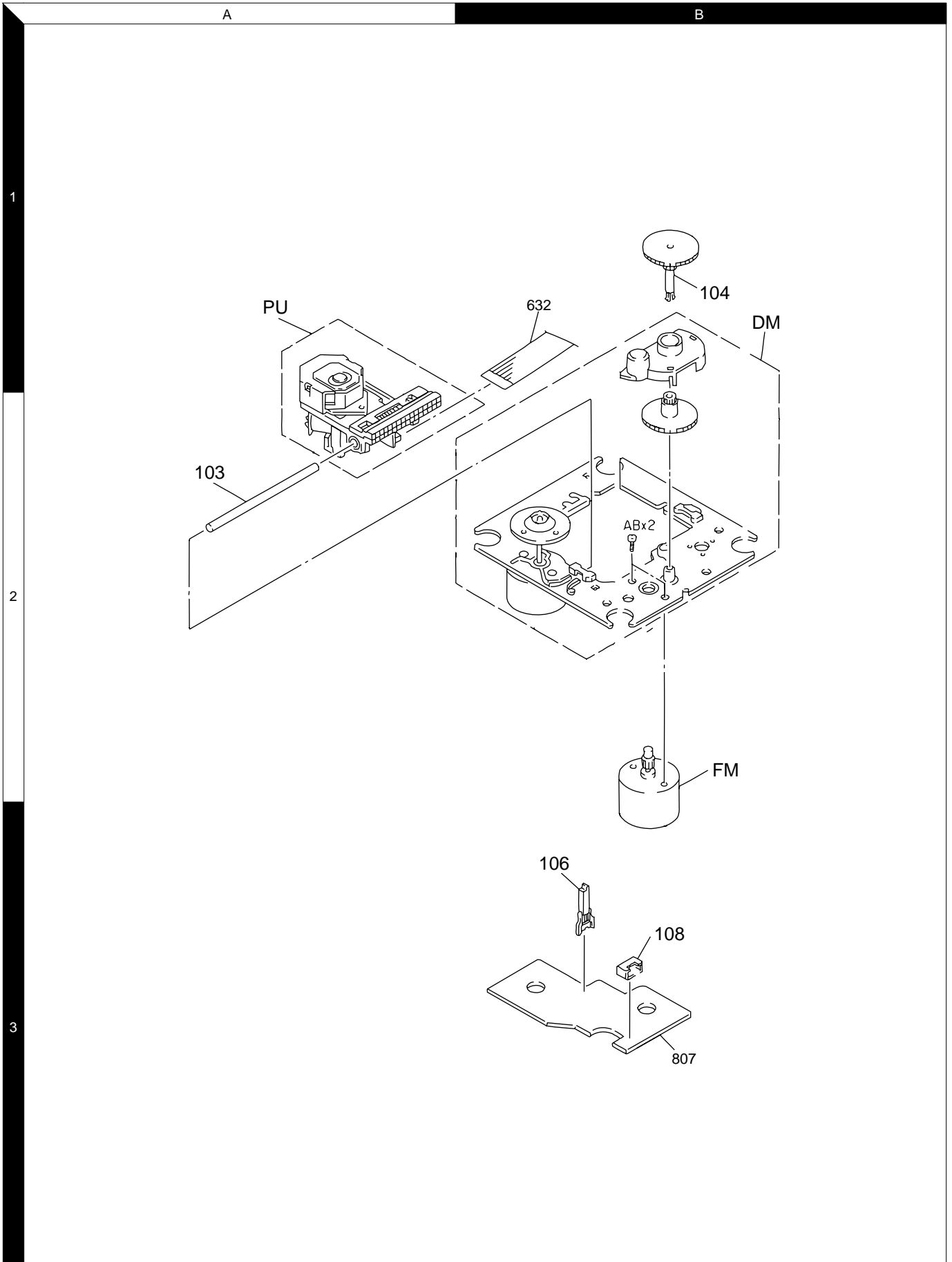
- RXD-302/302E (5/5)
- RXD-352/352E (5/5)
- RXD-372S (5/5)

RXD-302/302E/352/352E/372S

Y39-3522-71

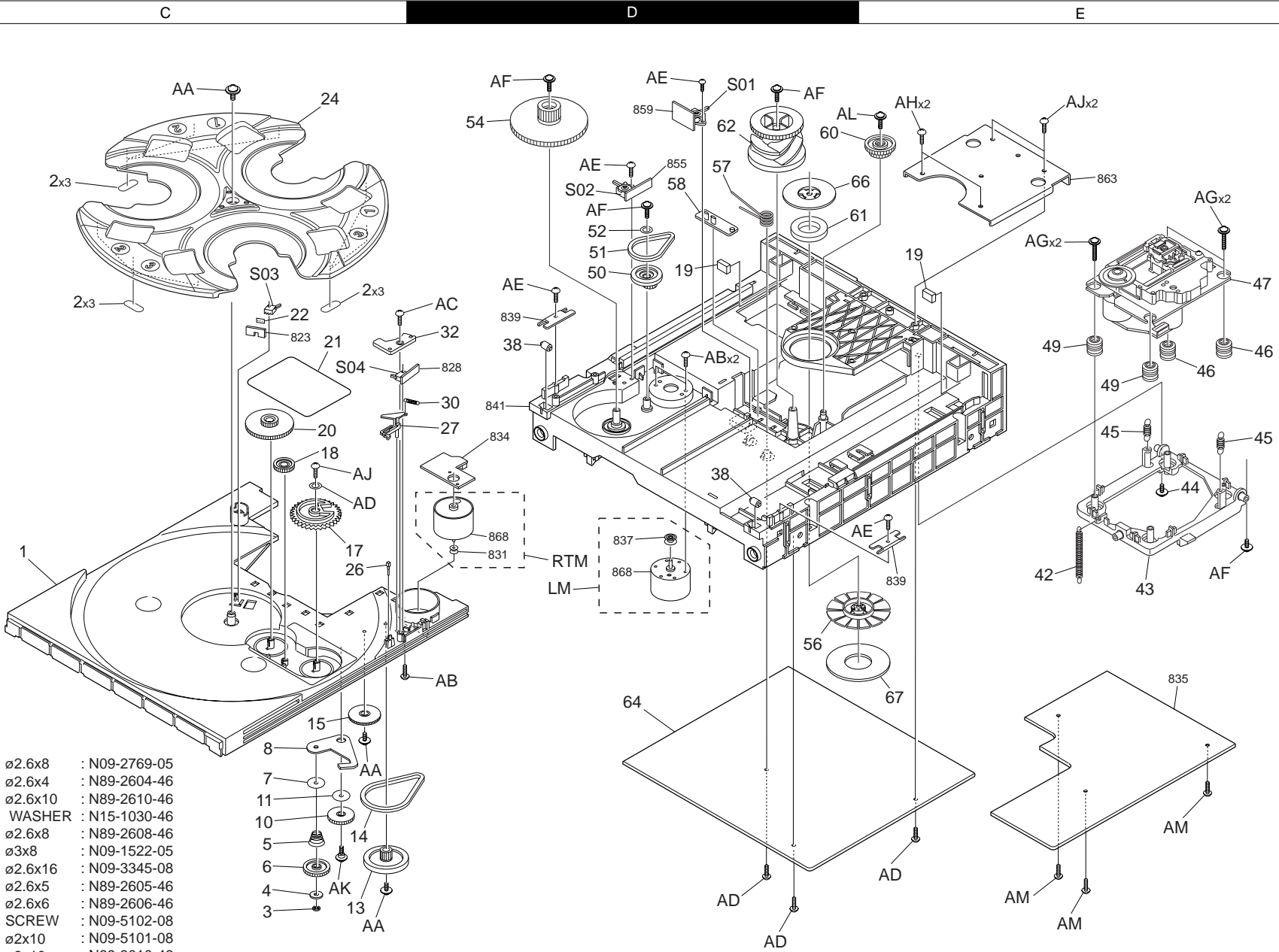
KENWOOD

## EXPLODED VIEW (CD MECHANISM)

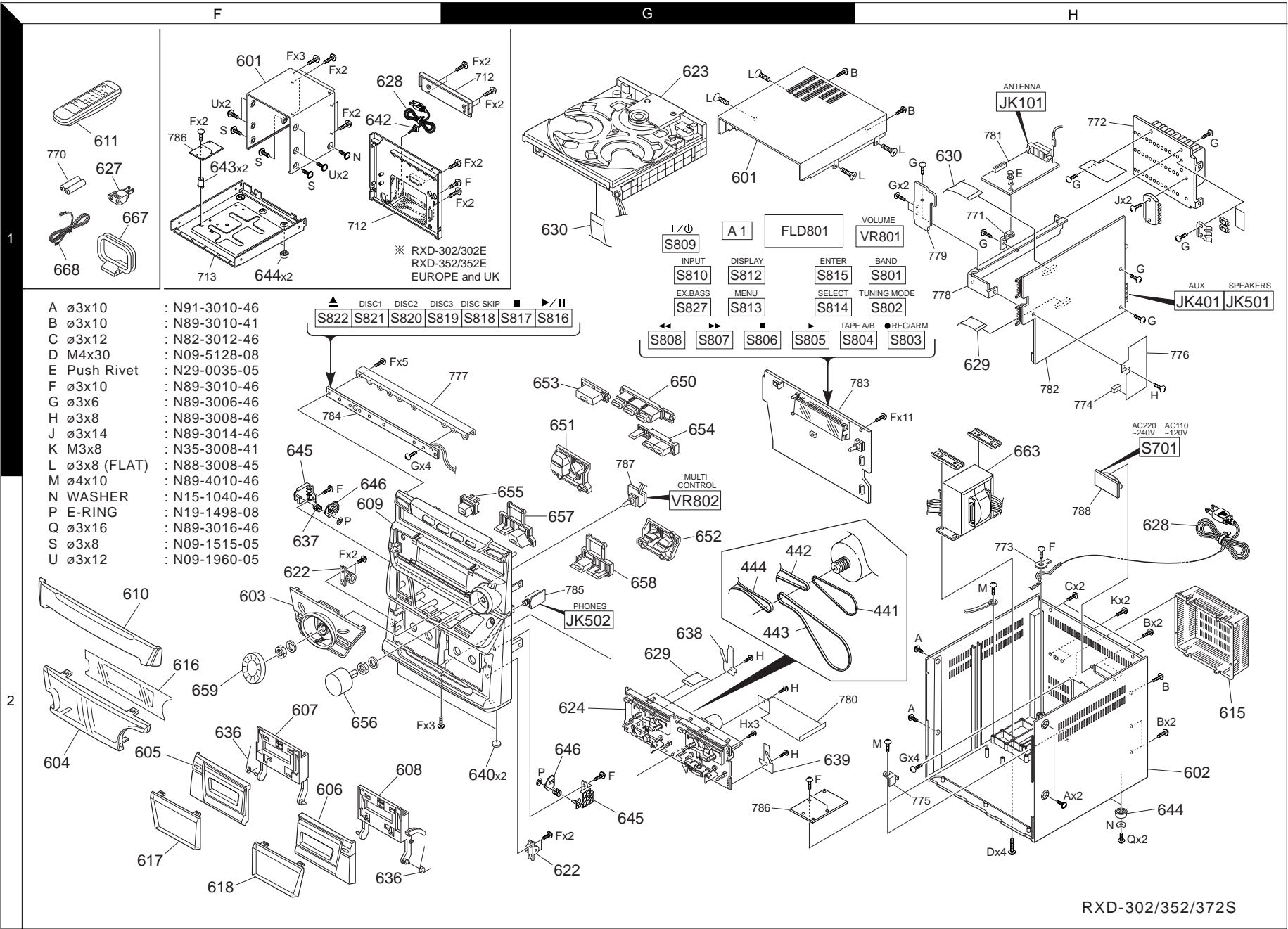


Parts with exploded numbers larger than 700 are not supplied.

EXPLODED VIEW (CD MECHANISM)



- AA  $\phi$ 2.6x8 : N09-2769-05
- AB  $\phi$ 2.6x4 : N89-2604-46
- AC  $\phi$ 2.6x10 : N89-2610-46
- AD WASHER : N15-1030-46
- AE  $\phi$ 2.6x8 : N89-2608-46
- AF  $\phi$ 3x8 : N09-1522-05
- AG  $\phi$ 2.6x16 : N09-3345-08
- AH  $\phi$ 2.6x5 : N89-2605-46
- AJ  $\phi$ 2.6x6 : N89-2606-46
- AK SCREW : N09-5102-08
- AL  $\phi$ 2x10 : N09-5101-08
- AM  $\phi$ 3x10 : N89-3010-46



EXPLODED VIEW (UNIT)

RXD-302/302E/352/352E/372S

RXD-302/352/372S

\* New Parts  
 Parts without **Parts No.** are not supplied.  
 Les articles non mentionnés dans le **Parts No.** ne sont pas fournis.  
 Teile ohne **Parts No.** werden nicht geliefert.



Ref. No	Add-ress	New Parts	Parts No.	Description	Desti-nation	Re-marks
<b>RXD-302/302E/352/352E/372S</b>						
601	1F	*	A01-3711-08	TOP CABINET (METAL)	TEE2	
601	1F	*	A01-3712-08	TOP CABINET (METAL)BLK	E3E4	
601	1G	*	A01-3725-08	TOP CABINET	MXYM2	
602	2H	*	A01-3715-08	BACK CABINET	M	
602	2H	*	A01-3716-08	BACK CABINET	X	
602	2H	*	A01-3726-08	BACK CABINET	Y	
602	2H	*	A01-3727-08	BACK CABINET	M2	
603	2F	*	A22-1831-08	CONTROL PLATE	MXYM2	
603	2F	*	A22-1831-08	CONTROL PLATE	TEE2	
603	2F	*	A22-1832-08	CONTROL PLATE	E3E4	
604	2F	*	A29-1071-08	FRONT WINDOW	E2	
604	2F	*	A29-1071-08	FRONT WINDOW	TEMXY	
604	2F	*	A29-1072-08	FRONT WINDOW	M2	
604	2F	*	A29-1073-08	FRONT WINDOW	E3E4	
605	2F	*	A53-2158-08	CASS DOOR L	MXYM2	
605	2F	*	A53-2158-08	CASS DOOR L	TEE2	
605	2F	*	A53-2160-08	CASS DOOR L	E3E4	
606	2F	*	A53-2159-08	CASS DOOR R	MXYM2	
606	2F	*	A53-2159-08	CASS DOOR R	TEE2	
606	2F	*	A53-2161-08	CASS DOOR R	E3E4	
607	2F	*	A53-2162-08	CASS. HOLDER L		
608	2F	*	A53-2163-08	CASS. HOLDER R		
609	2F	*	A60-1720-08	FRONT PANEL	MXYM2	
609	2F	*	A60-1720-08	FRONT PANEL	TEE2	
609	2F	*	A60-1721-08	FRONT PANEL	E3E4	
610	2F	*	A60-1723-08	CD DOOR	MXYM2	
610	2F	*	A60-1723-08	CD DOOR	TEE2	
610	2F	*	A60-1724-08	CD DOOR	E3E4	
611	2F	*	A70-1320-08	REMOTE CONTROLLER ASSY(RC-352)		
615	2H	*	B06-0071-08	HEAT SINK COVER(GREY)	MXYM2	
615	2H	*	B06-0071-08	HEAT SINK COVER(GREY)	TEE2	
615	2H	*	B06-0072-08	HEAT SINK COVER(BLK)	E3E4	
616	2F	*	B10-3526-08	DISPLAY WINDOW (FL FILTER)		
617	2F	*	B10-3527-08	CASS WINDOW L		
618	2F	*	B10-3528-08	CASS WINDOW R		
-			B46-0096-53	WARRANTY CARD	X	
-			B46-0310-03	WARRANTY CARD	ETE2	
-			B46-0328-03	WARRANTY CARD	Y	
-		*	B60-4304-08	INSTRUCTION MANUAL (EN)	MX	
-		*	B60-4304-08	INSTRUCTION MANUAL (EN)	TE2E4	
-		*	B60-4305-08	INSTRUCTION MANUAL (FR)	EE3	
-		*	B60-4306-08	INSTRUCTION MANUAL (ES)	EMM2E3	
-		*	B60-4307-08	INSTRUCTION MANUAL (NE)	EE3	
-		*	B60-4308-08	INSTRUCTION MANUAL (IT)	EE3	
-		*	B60-4309-08	INSTRUCTION MANUAL (GE)	EE3	
-		*	B60-4310-08	INSTRUCTION MANUAL (TC)	MM2	
-		*	B60-4312-08	INSTRUCTION MANUAL (PL)	E2E4	
-		*	B60-4313-08	INSTRUCTION MANUAL (HU)	E2E4	
-		*	B60-4314-08	INSTRUCTION MANUAL (CZ)	E2E4	
622	2F	*	D39-0325-08	GEAR DAMPER		
623	1G	*	D40-1652-08	CD MECHANISM ASSY 9140-C1		
624	2G	*	D40-1653-08	CASS DECK MECHANISM CWL44FR-10		

L : Scandinavia    K : USA    P : Canada    R : Mexico    C : China    I : Malaysia  
 Y : PX(Far East, Hawaii)    T : Europe    E : Europe    G : Germany    V : China (Shanghai)  
 Y : AAFES(Europe)    X : Australia    Q : Russia    H : Korea    M : Other Areas    Δ indicates safety critical components.

\* New Parts  
 Parts without **Parts No.** are not supplied.  
 Les articles non mentionnés dans le **Parts No.** ne sont pas fournis.  
 Teile ohne **Parts No.** werden nicht geliefert.



Ref. No	Add-ress	New Parts	Parts No.	Description	Desti-nation	Re-marks
Δ 627	1F		E03-0115-05	AC PLUG ADAPTER	MM2	
628	1F		E30-2905-08	AC CORD	T	
628	1F		E30-2906-08	AC CORD	EMM2	
628	1F		E30-2906-08	AC CORD	E2E3E4	
628	1F		E30-2907-08	AC CORD	X	
628	1F		E30-2908-08	AC CORD	Y	
629	1H,2G	*	E35-2433-08	FLAT CABLE 16P 200		
630	1G,1H	*	E35-2434-08	FLAT CABLE 24P 160		
632	1B	*	E35-2449-08	FLAT CABLE 16P 60		
-		*	E35-2442-08	A B DECK HEAD LEAD(7P CON ASSY)		
636	2F	*	G01-4155-08	EJECT SPRING		
637	2F	*	G01-4156-08	SPRING		
638	2G	*	G02-1686-08	SPRING PLATE(L)		
639	2G	*	G02-1687-08	SPRING PLATE(R)		
640	2G	*	G11-2484-08	FOOT RUBBER		
-		*	H10-7612-08	SNOW BOX L		
-		*	H10-7613-08	SNOW BOX R		
-		*	H21-0366-08	SOFT SHEET (1500X700X0.5T)		
-		*	H50-3398-08	ITEM CARTON CASE	E3	
-		*	H50-3399-08	ITEM CARTON CASE	E4	
-		*	H50-3401-08	ITEM CARTON CASE	TE	
-		*	H50-3402-08	ITEM CARTON CASE	E2	
-		*	H50-3404-08	ITEM CARTON CASE	M	
-		*	H50-3405-08	ITEM CARTON CASE	M2	
-		*	H60-0867-08	ITEM CARTON CASE	XY	
Δ 642	1F		J42-0330-08	POWER CORD BUSHING	E3E4	
Δ 642	1F		J42-0330-08	POWER CORD BUSHING	TEE2	
643	1F		J19-5961-08	UNIT HOLDER	E3E4	
643	1F		J19-5961-08	UNIT HOLDER	TEE2	
644	1F	*	J02-1457-08	FOOT	MXYM2	
644	1F	*	J02-1458-08	FOOT	E3E4	
644	1F	*	J02-1458-08	FOOT	TEE2	
645	1F,2G	*	J19-6026-08	EJECT HOLDER ASS'Y		
646	2F,2G	*	J19-6027-08	EJECT LEVER		
650	1G	*	K29-7641-08	DISC BUTTON BASE ASSY		
651	1G	*	K29-7642-08	EX. BASS BUTTON ASSY	MXYM2	
651	1G	*	K29-7642-08	EX. BASS BUTTON ASSY	TEE2	
651	1G	*	K29-7644-08	EX. BASS BUTTON ASSY	E3E4	
652	2G	*	K29-7643-08	TUNING BUTTON ASS'Y	MXYM2	
652	2G	*	K29-7643-08	TUNING BUTTON ASS'Y	TEE2	
652	2G	*	K29-7645-08	TUNING BUTTON ASS'Y	E3E4	
653	1G	*	K29-7646-08	OPEN/CLOSE BUTTON	MXYM2	
653	1G	*	K29-7646-08	OPEN/CLOSE BUTTON	TEE2	
653	1G	*	K29-7647-08	OPEN/CLOSE BUTTON	E3E4	
654	1G	*	K29-7648-08	PLAY PAUSE BUTTON	MXYM2	
654	1G	*	K29-7648-08	PLAY PAUSE BUTTON	TEE2	
654	1G	*	K29-7649-08	PLAY PAUSE BUTTON	E3E4	
655	2G	*	K29-7650-08	POWER BUTTON	MXYM2	
655	2G	*	K29-7650-08	POWER BUTTON	TEE2	
655	2G	*	K29-7651-08	POWER BUTTON	E3E4	
656	2F	*	K29-7652-08	VOLUME KNOB	MXYM2	
656	2F	*	K29-7652-08	VOLUME KNOB	TEE2	
656	2F	*	K29-7653-08	VOLUME KNOB	E3E4	
657	2G	*	K29-7654-08	STOP BUTTON	MXYM2	

L : Scandinavia    K : USA    P : Canada    R : Mexico    C : China    I : Malaysia  
 Y : PX(Far East, Hawaii)    T : Europe    E : Europe    G : Germany    V : China (Shanghai)  
 Y : AAFES(Europe)    X : Australia    Q : Russia    H : Korea    M : Other Areas    Δ indicates safety critical components.



\* New Parts

Parts without **Parts No.** are not supplied.  
Les articles non mentionnés dans le **Parts No.** ne sont pas fournis.  
Teile ohne **Parts No.** werden nicht geliefert.

3

Ref. No	Add-ress	New Parts	Parts No.	Description	Desti-nation	Re-marks
657	2G	*	K29-7654-08	STOP BUTTON	TEE2	
657	2G	*	K29-7655-08	STOP BUTTON	E3E4	
658	2G	*	K29-7656-08	PLAY BUTTON	MYXM2	
658	2G	*	K29-7656-08	PLAY BUTTON	TEE2	
658	2G	*	K29-7657-08	PLAY BUTTON	E3E4	
659	2F	*	K29-7658-08	JOG KNOB	MYXM2	
659	2F	*	K29-7658-08	JOG KNOB	TEE2	
659	2F	*	K29-7659-08	JOG KNOB	E3E4	
Δ 663	1H	*	L07-2777-08	POWER TRANS.	TEE2	
Δ 663	1H	*	L07-2778-08	POWER TRANS.	MYM2	
Δ 663	1H	*	L07-2779-08	POWER TRANS.	X	
D		*	N09-5128-08	SCREW 4X30		
P		*	N19-1498-08	E-RING		
667	1F		T90-0815-08	AM LOOP ANTENNA		
668	1F		T90-0836-05	LEAD WIRE ANTENNA	E3E4	
668	1F		T90-0836-05	LEAD WIRE ANTENNA	TEE2	
668	1F	*	T90-0847-08	LEAD WIRE ANTENNA	MYXM2	
<b>TUNER UNIT (TEE2E3E4MX)</b>						
C101			C91-0769-05	CERAMIC	0.010UF	K
C101			C91-0769-05	CERAMIC	0.010UF	K
C102			C91-0757-05	CERAMIC	1000PF	K
C103			C91-1525-08	CERAMIC	0.1UF	Z
C105			CK14FF1E223Z	CERAMIC	0.022UF	Z
C106			CE04KW1C101M	ELECTRO	100UF	16WV
C107,108			CK14FF1E223Z	CERAMIC	0.022UF	Z
C110			CE04KW1H100M	ELECTRO	10UF	50WV
C111,112			CK14FF1E223Z	CERAMIC	0.022UF	Z
C113			CE04KW1C101M	ELECTRO	100UF	16WV
C114			C91-0737-05	CERAMIC	47PF	J
C116			CE04KW1H010M	ELECTRO	1.0UF	50WV
C117			CE04KW1HR47M	ELECTRO	0.47UF	50WV
C118		*	C91-1592-08	CERAMIC	20PF	J
C119			CE04KW1H010M	ELECTRO	1.0UF	50WV
C120,121			C91-0757-05	CERAMIC	1000PF	K
C122,123			CQ92FM1H223J	MYLAR	0.022UF	J
C124,125			CE04KW1H4R7M	ELECTRO	4.7UF	50WV
C128,129			CQ92FM1H152J	MYLAR	1500PF	J
C130,131			CQ92FM1H103K	MYLAR	0.010UF	K
C132			C91-0765-05	CERAMIC	4700PF	J
C133			CK45FB1H104Z	CERAMIC	0.10UF	Z
C134			CE04KW1H100M	ELECTRO	10UF	50WV
C135			CK45FB1H104Z	CERAMIC	0.10UF	Z
C136			C91-0756-05	CERAMIC	820PF	K
C138			CE04KW1C220M	ELECTRO	22UF	16WV
C139			C91-0745-05	CERAMIC	100PF	K
C140			CE04KW1H3R3M	ELECTRO	3.3UF	50WV
C141			CK14FF1E223Z	CERAMIC	0.022UF	Z
C142			CE04KW1C101M	ELECTRO	100UF	16WV
C143			CK14FF1E223Z	CERAMIC	0.022UF	Z
C144			CE04KW1C101M	ELECTRO	100UF	16WV
C145,146			CC45FCH1H270J	CERAMIC	27PF	J
C148			CQ92FM1H103J	MYLAR	0.010UF	J
C149			CF92FV1H224J	MF-C	0.22UF	J

L : Scandinavia    K : USA    P : Canada    R : Mexico    C : China    I : Malaysia  
Y : PX(Far East, Hawaii)    T : Europe    E : Europe    G : Germany    V : China (Shanghai)  
Y : AAFES(Europe)    X : Australia    Q : Russia    H : Korea    M : Other Areas    Δ indicates safety critical components.

\* New Parts

Parts without **Parts No.** are not supplied.  
Les articles non mentionnés dans le **Parts No.** ne sont pas fournis.  
Teile ohne **Parts No.** werden nicht geliefert.

4

Ref. No	Add-ress	New Parts	Parts No.	Description	Desti-nation	Re-marks
C150			CE04KW1C470M	ELECTRO	47UF	16WV
C151			C91-0769-05	CERAMIC	0.010UF	K
C152			CK14FF1E223Z	CERAMIC	0.022UF	Z
C153			C91-0757-05	CERAMIC	1000PF	K
C154-156			C91-0749-05	CERAMIC	220PF	K
C158			C91-0769-05	CERAMIC	0.010UF	K
C159			CK14FF1E223Z	CERAMIC	0.022UF	Z
C160			C91-0721-05	CERAMIC	10PF	J
C161			CK45FB1H104Z	CERAMIC	0.10UF	Z
C162			CF92FV1H471J	MF-C	470PF	J
C163		*	C91-1592-08	CERAMIC	20PF	J
C164,165			C91-0709-05	CERAMIC	1.0PF	M
C166			CF92FV1H181K	MF-C	180PF	K
C167			CK14FF1E223Z	CERAMIC	0.022UF	Z
C168,169			CK14FF1E223Z	CERAMIC	0.022UF	Z
TC101			C05-0231-08	TRIMMER 10P-VCT51C554A		
TC101			C05-0238-08	TRIMMER CON 10PS 5010100055		
TC103			C05-0239-08	TRIMMER C 30P		
TC104		*	C05-0243-08	TRIMMER C 20P		
JK101			E20-0321-05	2P ANT TER		E3E4
JK101			E20-0321-05	2P ANT TER		TEE2
JK101			E70-0070-08	4P ANT TER		MY
BP101		*	L72-0625-08	FM BAND PASS FILTER		E3E4
BP101		*	L72-0625-08	FM BAND PASS FILTER		TEE2
CF101			L72-0586-08	CERAMIC F		
CF102			L72-0591-08	CERAMIC F		
CF103			L72-0587-08	CERAMIC F		
CF104		*	L78-0706-08	RESONATOR		
L101-103			L39-1334-08	P COIL 220		
L106			L39-1344-08	P COIL 470		
L107			L39-1332-08	P COIL 220		
T102			L30-0922-08	AM IFT 4340101240		
T102		*	L30-0964-08	AM IFT 4340101390		
T103			L31-0618-08	AM ANT COIL		
T104		*	L32-0581-08	MW OSC COIL		
T105			L31-0635-08	LW ANT COIL		
T106			L32-1008-08	LW OSC COIL		
X101			L77-2243-08	X'TAL 7.2MHZ		
R102			RS14GB2H680J	FL-PROOF RS	68	J 1/2W
R102			RS14GB2H680J	FL-PROOF RS	68	J 1/2W
R125			RS14GB2H101J	FL-PROOF RS	100	J 1/2W
SFR101		*	R32-0087-08	TRIMMING POT.		
D101,102			1SS133	DIODE		
D103			MTZJ5.6B	Z DIODE		
D104			1SS133	DIODE		
D105		*	SVC348S-TL	DIODE		
D106			1SS133	DIODE		
D107,108			1SS133	DIODE		
IC102		*	LA1833L	IC		
IC103			LC72131D	IC		
Q101			2SC1675(L)	TRANSISTOR		
Q102		*	2SJ460	FET		
Q103,104			2SK2541	FET		MY

L : Scandinavia    K : USA    P : Canada    R : Mexico    C : China    I : Malaysia  
Y : PX(Far East, Hawaii)    T : Europe    E : Europe    G : Germany    V : China (Shanghai)  
Y : AAFES(Europe)    X : Australia    Q : Russia    H : Korea    M : Other Areas    Δ indicates safety critical components.

PARTS LIST

RXD-302/302E/352/352E/372S

\* New Parts  
 Parts without **Parts No.** are not supplied.  
 Les articles non mentionnés dans le **Parts No.** ne sont pas fournis.  
 Teile ohne **Parts No.** werden nicht geliefert.

5

Ref. No	Add-ress	New Parts	Parts No.	Description	Desti-nation	Re-marks
Q105			2SK544F-T	FET		
Q106			2SC2001L	TRANSISTOR	T	
Q107			2SC945	TRANSISTOR	T	
Q108,109			2SC2001L	TRANSISTOR	T	
Q110			2SA733	TRANSISTOR	T	
FE101			W02-2681-08	FM FRONT END	E3E4	
FE101			W02-2681-08	FM FRONT END	TEE2	
FE101		*	W02-2714-08	FM FRONT END (PCB ASSY)	MXV	
<b>TUNER UNIT (M2)</b>						
C100A			C91-0765-05	CERAMIC	4700PF	J
C100B			C91-0765-05	CERAMIC	4700PF	J
C101,102			C91-0757-05	CERAMIC	1000PF	K
C103			C91-0715-05	CERAMIC	3.3PF	K
C104			C91-0085-05	CERAMIC	0.022UF	N
C105			CC45FSL1H180J	CERAMIC	18PF	J
C106-108			C91-0085-05	CERAMIC	0.022UF	N
C109			C91-0713-05	CERAMIC	2.2PF	K
C110			C91-0713-05	CERAMIC	2.2PF	K
C111			C91-0739-05	CERAMIC	56PF	J
C112,113			C91-0745-05	CERAMIC	100PF	K
C116			CC45FSL1H100J	CERAMIC	10PF	J
C117		*	C91-1592-08	CERAMIC	20PF	J
C118			CE04KW1C101M	ELECTRO	100UF	16WV
C119			C91-0757-05	CERAMIC	1000PF	K
C121			C91-0737-05	CERAMIC	47PF	J
C122			CE04KW1H010M	ELECTRO	1.0UF	50WV
C123			CE04KW1HR47M	ELECTRO	0.47UF	50WV
C124		*	C91-1592-08	CERAMIC	20PF	J
C125			CE04KW1H010M	ELECTRO	1.0UF	50WV
C126			CK14F1H473Z	CERAMIC	0.047UF	Z
C127			CE04KW1H100M	ELECTRO	10UF	50WV
C128			C91-0085-05	CERAMIC	0.022UF	N
C129			CE04KW1H010M	ELECTRO	1.0UF	50WV
C130,131			CQ92FM1H223J	MYLAR	0.022UF	J
C132,133			CQ92FM1H102J	MYLAR	1000PF	J
C134			C91-0756-05	CERAMIC	820PF	K
C135			CE04KW1H3R3M	ELECTRO	3.3UF	50WV
C136			C91-0765-05	CERAMIC	4700PF	J
C137			CE04KW1H220M	ELECTRO	22UF	50WV
C138			CK14F1H473Z	CERAMIC	0.047UF	Z
C139			C91-0085-05	CERAMIC	0.022UF	N
C140			CE04KW1C101M	ELECTRO	100UF	16WV
C141			C91-0085-05	CERAMIC	0.022UF	N
C142			CE04KW1C101M	ELECTRO	100UF	16WV
C143			CF92FV1H224J	MF-C	0.22UF	J
C144			CQ92FM1H103J	MYLAR	0.010UF	J
C147			C91-0757-05	CERAMIC	1000PF	K
C149			C91-0085-05	CERAMIC	0.022UF	N
C150			C91-1525-08	CERAMIC	0.1UF	Z
C151,152			C91-0759-05	CERAMIC	1500PF	M
C153			C91-0085-05	CERAMIC	0.022UF	N
C155			C91-0745-05	CERAMIC	100PF	K
C157			C91-0757-05	CERAMIC	1000PF	K
C160			C91-0085-05	CERAMIC	0.022UF	N

L : Scandinavia    K : USA    P : Canada    R : Mexico    C : China    I : Malaysia  
 Y : PX(Far East, Hawaii)    T : Europe    E : Europe    G : Germany    V : China (Shanghai)  
 Y : AAFES(Europe)    X : Australia    Q : Russia    H : Korea    M : Other Areas    Δ indicates safety critical components.

6

\* New Parts  
 Parts without **Parts No.** are not supplied.  
 Les articles non mentionnés dans le **Parts No.** ne sont pas fournis.  
 Teile ohne **Parts No.** werden nicht geliefert.

Ref. No	Add-ress	New Parts	Parts No.	Description	Desti-nation	Re-marks
C161,162			CE04KW1H010M	ELECTRO	1.0UF	50WV
C164			CK45FB1H103Z	CERAMIC	0.010UF	Z
C165,166			CK45FB1H104Z	CERAMIC	0.10UF	Z
C167			CQ93FMG1H471J	MYLAR	470PF	J
C169			C91-0085-05	CERAMIC	0.022UF	N
C170			C91-1525-08	CERAMIC	0.1UF	Z
C171			CK45FB1H223Z	CERAMIC	0.022UF	Z
C174,175			CQ92FM1H682J	MYLAR	6800PF	J
C177-179			C91-0749-05	CERAMIC	220PF	K
C201			C91-0754-05	CERAMIC	560PF	J
C202			CQ09S1H472J	POLYSTY	4700PF	J
C204			C91-0085-05	CERAMIC	0.022UF	N
C205			CE04KW1E470M	ELECTRO	47UF	25WV
C207			CE04KW1E470M	ELECTRO	47UF	25WV
C208			C91-0769-05	CERAMIC	0.010UF	K
C209			C91-1525-08	CERAMIC	0.1UF	Z
C210			C91-0757-05	CERAMIC	1000PF	K
C211			C91-0745-05	CERAMIC	100PF	K
C213,214			CC45FCH1H270J	CERAMIC	27PF	J
C215			CK45FB1H104Z	CERAMIC	0.10UF	Z
C216,217			C91-0085-05	CERAMIC	0.022UF	N
C218			C91-0721-05	CERAMIC	10PF	J
C220			C91-0749-05	CERAMIC	220PF	K
TC101,102			C05-0238-08	TRIMMER CON 10PS TZ-03N100TR		
TC201			C05-0238-08	TRIMMER CON 10PS TZ-03N100TR		
CN101			E40-8336-08	10P FTW TOP BASE(2.0)		
JK101			E70-0070-08	4P ANT TER CJ-9020-02-04		
CF101			L72-0591-08	CERAMIC F SFE10.7MA5 RED		
CF102			L72-0586-08	CERAMIC F SFE10.7MS3GYM RED		
CF103			L72-0587-08	CERAMIC F SFZ450B		
CF104		*	L78-0708-08	RESONATOR CDA10.7MG46-A		
L101			L31-0622-08	FM ANT COIL PC-8474-1		
L102			L31-0623-08	FM RF COIL PC-8867		
L103			L32-0584-08	FM OSC COIL R22-F036X ORG		
L104			L31-0618-08	AM ANT COIL TWS-358-762		
L105			L32-0581-08	MW OSC COIL TWS-358-751		
L106			L40-3925-29	INDUCTANCE 392K		
L107,108			L39-1340-08	INDUCTANCE 473K		
L201			L31-0634-08	SW ANT COIL		
L202			L32-1005-08	SW OSC COIL		
L203			L39-1344-08	P. COIL 470K-T		
L204			L39-1340-08	INDUCTANCE 473K		
L205			L39-1344-08	P. COIL 470K-T		
T101			L30-0926-08	FM IFT TWS-358-412		
T102			L30-0922-08	AM IFT R22-E792		
X201			L77-2243-08	X'TAL(7.2MHZ)		
Δ R130			RS14GB2H101J	FL-PROOF RS 100	J	1/2W
SFR101			R32-0008-08	TRIMMING POT.		
D101,102			1SS133	DIODE		
D103,104		*	SVC211SPA	DIODE		
D105			1SS133	DIODE		
D106			KV1561A-2	DIODE		
D108			KV1561A-2	DIODE		

L : Scandinavia    K : USA    P : Canada    R : Mexico    C : China    I : Malaysia  
 Y : PX(Far East, Hawaii)    T : Europe    E : Europe    G : Germany    V : China (Shanghai)  
 Y : AAFES(Europe)    X : Australia    Q : Russia    H : Korea    M : Other Areas    Δ indicates safety critical components.

\* New Parts  
Parts without **Parts No.** are not supplied.  
Les articles non mentionnés dans le **Parts No.** ne sont pas fournis.  
Teile ohne **Parts No.** werden nicht geliefert.

7

Ref. No	Add-ress	New Parts	Parts No.	Description	Desti-nation	Re-marks
D110 D202 IC101 IC102 IC103		*	MTZJ6.2B 1SS133 LA1186N LA1833L LC72131	ZENER DIODE DIODE IC IC(AM/FM TUNER) IC(PLL FREQUENCY SYNTHESIZER)		
Q100 Q101 Q102 Q105 Q106			2SC2001L 2SC1675(L) 2SC1674(L) DTA114YS 2SK544F-T	TRANSISTOR TRANSISTOR TRANSISTOR TRANSISTOR FET		
Q109 Q110-112 Q113 Q114 Q115,116			2SK2541 2SC2878A DTA144ES 2SC2001L 2SK2541	TRANSISTOR TRANSISTOR TRANSISTOR TRANSISTOR TRANSISTOR		
Q201 Q202-204			DTA144ES 2SC2878A	TRANSISTOR TRANSISTOR		
<b>MAIN UNIT</b>						
C200A C200B C201-204 C205,206 C207,208			C91-0755-05 C91-0755-05 C91-0755-05 C91-0749-05 CE04KW1C470M	CERAMIC CERAMIC CERAMIC CERAMIC ELECTRO	680PF 680PF 680PF 220PF 47UF	K K K K 16WV
C209,210 C211,212 C213,214 C215,216 C217,218			CK45FB1E103K CE04KW1H010M C91-0762-05 C91-0760-05 C91-0749-05	CERAMIC ELECTRO CERAMIC CERAMIC CERAMIC	0.010UF 1.0UF 2700PF 1800PF 220PF	K 50WV M M K
C219-221 C222 C223,224 C225,226 C227,228			CE04KW1H3R3M CE04KW1C220M C91-0757-05 CE04KW1H3R3M C91-0753-05	ELECTRO ELECTRO CERAMIC ELECTRO CERAMIC	3.3UF 22UF 1000PF 3.3UF 470PF	50WV 16WV K 50WV K
C227A C230 C231 C232 C233			CE04KW1C470M CQ92FM1H153J CQ92FM1H103J CQ92FM1H472J CF92FV1H223J	ELECTRO MYLAR MYLAR MYLAR MF-C	47UF 0.015UF 0.010UF 4700PF 0.022UF	16WV J J J J
C234 C235,236 C237 C237A C238			CE04KW1C470M CK14FF1E223Z CE04KW1C331M CE04KW1H2R2M CE04KW1H3R3M	ELECTRO CERAMIC ELECTRO ELECTRO ELECTRO	47UF 0.022UF 330UF 2.2UF 3.3UF	16WV Z 16WV 50WV 50WV
C239,240 C241 C245,246 C245A C247			CE04KW1C221M CE04KW1C101M CE04KW1H3R3M CF92FV1H332J CE04KW1C221M	ELECTRO ELECTRO ELECTRO MF-C ELECTRO	220UF 100UF 3.3UF 3300PF 220UF	16WV 16WV 50WV J 16WV
C248,249 C400 C400X C400Y C401,402 C403,404			C91-1525-08 C91-1525-08 CE04HW1H2R2M CE04HW1H2R2M C91-0757-05 C91-0751-05	CERAMIC CERAMIC NP-ELEC NP-ELEC CERAMIC CERAMIC	0.1UF 0.1UF 2.2UF 2.2UF 1000PF 330PF	Z Z 50WV 50WV K K

L : Scandinavia K : USA P : Canada R : Mexico C : China I : Malaysia  
Y : PX(Far East, Hawaii) T : Europe E : Europe G : Germany V : China (Shanghai)  
Y : AAFES(Europe) X : Australia Q : Russia H : Korea M : Other Areas Δ indicates safety critical components.

\* New Parts  
Parts without **Parts No.** are not supplied.  
Les articles non mentionnés dans le **Parts No.** ne sont pas fournis.  
Teile ohne **Parts No.** werden nicht geliefert.

8

Ref. No	Add-ress	New Parts	Parts No.	Description	Desti-nation	Re-marks
C406,407 C411-413 C412A,413A C414,415 C416,417			CE04KW1H2R2M CE04KW1HR47M CE04KW1HR47M CQ92FM1H183J CQ92FM1H223J	ELECTRO ELECTRO ELECTRO MYLAR MYLAR	2.2UF 0.47UF 0.47UF 0.018UF 0.022UF	50WV 50WV 50WV J J
C418-421 C422,423 C424 C425 C425A			CQ92FM1H184J CQ92FM2A562J C91-0749-05 CE04KW1H100M C91-0749-05	MYLAR MYLAR CERAMIC ELECTRO CERAMIC	0.18UF 5600PF 220PF 10UF 220PF	J J K 50WV K
C426 C427,428 C431 C432,433 C434,435			CE04KW1C221M CE04KW1H4R7M CE04KW1C101M CE04HW1HR47M C91-0737-05	ELECTRO ELECTRO ELECTRO NP-ELEC CERAMIC	220UF 4.7UF 100UF 0.47UF 47PF	16WV 50WV 16WV 50WV J
C436,437 C438 C439 C439D C440			CE04KW1HR47M C91-0749-05 CE04KW1H010M CE04KW1H010M CE04KW1C470M	ELECTRO CERAMIC ELECTRO ELECTRO ELECTRO	0.47UF 220PF 1.0UF 1.0UF 47UF	50WV K 50WV 50WV 16WV
C440A C441 C444-447 C448,449 C450,451			CE04KW1C470M CE04KW1H2R2M C91-0745-05 C91-0751-05 CE04KW1C470M	ELECTRO ELECTRO CERAMIC CERAMIC ELECTRO	47UF 2.2UF 100PF 330PF 47UF	16WV 50WV K K 16WV
C452,453 C454,455 C456 C457 C501,502			CE04KW1H2R2M CE04KW1H470M CE04KW1H2R2M C91-1525-08 C91-0757-05	ELECTRO ELECTRO ELECTRO CERAMIC CERAMIC	2.2UF 47UF 2.2UF 0.1UF 1000PF	50WV 50WV 50WV Z K
C503,504 C505,506 C507,508 C509,510 C511			CE04KW1H470M C91-0717-05 CE04KW1H101M CE04KW1H100M C91-1525-08	ELECTRO CERAMIC ELECTRO ELECTRO CERAMIC	47UF 4.7PF 100UF 10UF 0.1UF	50WV K 50WV 50WV Z
C513,514 C515,516 C517 C518 C519-522			CQ92FM1H104J CK14FF1E223Z CE04KW1C101M CE04KW1H010M C91-0757-05	MYLAR CERAMIC ELECTRO ELECTRO CERAMIC	0.10UF 0.022UF 100UF 1.0UF 1000PF	J Z 16WV 50WV K
C524,525 C526A C530 C600R C601			C91-0757-05 C91-0757-05 C91-1525-08 CE04KW1C471M C90-3824-08	CERAMIC CERAMIC CERAMIC ELECTRO ELECTRO	1000PF 1000PF 0.1UF 470UF 4700UF	K K Z 16WV 5.5WV
C601B C603 C604,605 C606 C607			CK14FF1E223Z C91-1525-08 CE04KW1C101M C91-1525-08 CE04KW1H2R2M	CERAMIC CERAMIC ELECTRO CERAMIC ELECTRO	0.022UF 0.1UF 100UF 0.1UF 2.2UF	Z Z 16WV Z 50WV
C608 C609 C610 C611 C612			CE04KW1H010M C91-1525-08 CE04KW1H100M CK14FF1E223Z CE04KW1C470M	ELECTRO CERAMIC ELECTRO CERAMIC ELECTRO	1.0UF 0.1UF 10UF 0.022UF 47UF	50WV Z 50WV Z 16WV

L : Scandinavia K : USA P : Canada R : Mexico C : China I : Malaysia  
Y : PX(Far East, Hawaii) T : Europe E : Europe G : Germany V : China (Shanghai)  
Y : AAFES(Europe) X : Australia Q : Russia H : Korea M : Other Areas Δ indicates safety critical components.

PARTS LIST

RXD-302/302E/352/352E/372S

\* New Parts  
 Parts without **Parts No.** are not supplied.  
 Les articles non mentionnés dans le **Parts No.** ne sont pas fournis.  
 Teile ohne **Parts No.** werden nicht geliefert.



Ref. No	Add-ress	New Parts	Parts No.	Description	Desti-nation	Re-marks
C613			CE04KW1H010M	ELECTRO 1.0UF 50WV		
C614			CE04KW1H100M	ELECTRO 10UF 50WV		
C615-617			C91-0749-05	CERAMIC 220PF K		
C618			C91-0745-05	CERAMIC 100PF K		
C619			C91-0749-05	CERAMIC 220PF K		
C622,623			CC45FCH1H220J	CERAMIC 22PF J		
C624-626			C91-0749-05	CERAMIC 220PF K		
C700			C91-1525-08	CERAMIC 0.1UF Z		
C708			CK14FF1E223Z	CERAMIC 0.022UF Z		
C709,710			CE04KW1C470M	ELECTRO 47UF 16WV		
C713			C91-0756-05	CERAMIC 820PF K		
C714			CE04KW1H010M	ELECTRO 1.0UF 50WV		
C715			CE04KW1C221M	ELECTRO 220UF 16WV		
C716-718			CK14FF1E223Z	CERAMIC 0.022UF Z		
C719			CE04KW1C221M	ELECTRO 220UF 16WV		
C720			CE04KW1H100M	ELECTRO 10UF 50WV		
C721-724			CK45FB1H472K	CERAMIC 4700PF K		
C725-728			CK45FB1C103K	CERAMIC 0.010UF K		
C729,730			CE04KW1H332M	ELECTRO 3300UF 50WV		
C731			CE04DW1E222M	ELECTRO 2200UF 25WV		
C732			CE04KW1C471M	ELECTRO 470UF 16WV		
C733-735			CK14FF1E223Z	CERAMIC 0.022UF Z		
C736			CE04KW1E471M	ELECTRO 470UF 25WV		
C737			CK14FF1E223Z	CERAMIC 0.022UF Z		
C738			CE04KW1C471M	ELECTRO 470UF 16WV		
C739			CE04KW1C101M	ELECTRO 100UF 16WV		
C740,741			CK14FF1E223Z	CERAMIC 0.022UF Z		
C743			CE04KW1H101M	ELECTRO 100UF 50WV		
C744,745			CK14F1H473Z	CERAMIC 0.04UF Z		
C746			CE04KW1H101M	ELECTRO 100UF 50WV		
C747			CE04KW2A470M	ELECTRO 47UF 100WV		
C748,749			CK45FB1E103K	CERAMIC 0.010UF K		
C750			CE04KW2A470M	ELECTRO 47UF 100WV		
C752			CE04KW1E471M	ELECTRO 470UF 25WV		
C753			C91-1525-08	CERAMIC 0.1UF Z		
CN05		*	E40-8457-08	FLAT CABLE CONNECTOR (24P)		
CN204		*	E35-2435-08	FLAT CABLE CONNECTOR (16P)		
CN601		*	E40-8453-08	PIN ASSY (10P)		
CN602		*	E40-8455-08	PIN ASSY (11P)		
JK401		*	E63-1073-08	2P RCA JACK		
JK501			E70-0108-08	4P SPEAKER TER		
JK502			E11-0386-08	H/P JACK		
F701			F05-1623-05	FUSE T1.6AL250V	EE2	
F701			F05-1623-05	FUSE T1.6AL250V	E3E4	
F701			F05-1623-05	FUSE T1.6AL250V	MYM2	
F702			F05-1623-05	FUSE T1.6AL250V	E2E3E4	
F702			F05-1623-05	FUSE T1.6AL250V	TEMX	
F702			F05-3121-05	FUSE T3.15AL250V	MYM2	
F703			F05-1623-05	FUSE T1.6AL250V	MYM2	
L201			L32-1007-08	BIAS OSC COIL		
L501,502			L39-1341-08	SPRING COIL		
L602			L39-1375-08	MOTOR CHOKE		
L700		*	L39-1380-08	P.COIL		
X601		*	L77-2244-08	X'TAL 6.00MHZ		

L : Scandinavia K : USA P : Canada R : Mexico C : China I : Malaysia  
 Y : PX(Far East, Hawaii) T : Europe E : Europe G : Germany V : China (Shanghai)  
 Y : AAFES(Europe) X : Australia Q : Russia H : Korea M : Other Areas Δ indicates safety critical components.

PARTS LIST

\* New Parts  
 Parts without **Parts No.** are not supplied.  
 Les articles non mentionnés dans le **Parts No.** ne sont pas fournis.  
 Teile ohne **Parts No.** werden nicht geliefert.



Ref. No	Add-ress	New Parts	Parts No.	Description	Desti-nation	Re-marks
Δ R215			RD14BB2E221J	RD 220 J 1/4W		
Δ R417			RD14BB2E151J	RD 150 J 1/4W		
Δ R452,453			RD14BB2E331J	RD 330 J 1/4W		
Δ R507,508			RS14GB2H101J	FL-PROOF RS 100 J 1/2W		
R511,512		*	R92-1923-08	CEMENT R 0.22 J 2W		
R519,520			RS14GB2H4R7J	FL-PROOF RS 4.7 J 1/2W		
R524,525			RS14GB2H4R7J	FL-PROOF RS 4.7 J 1/2W		
R529,530			RS14AB3A331J	FL-PROOF RS 330 J 1W		
Δ R700			RD14BB2H475J	RD 4.7M J 1/2W		
Δ R701F			R92-1924-08	FL-PROOF RS 1 J 1/4W		
R702F			RS14AB2H220J	FL-PROOF RS 22 J 1/2W		
Δ R710F			RS14AB2H100J	FL-PROOF RS 10 J 1/2W		
R712			RS14AB3A221J	FL-PROOF RS 220 J 1W		
R717			RS14AB3A152J	FL-PROOF RS 1.5K J 1W		
SFR201		*	R32-0088-08	TRIMMING POT.		
RL501			S76-0048-08	RELAY		
Δ S701			S62-0083-08	SLIDE SWITCH	MYM2	
D201-203			1SS133	DIODE		
D401			1SS133	DIODE		
D404-407			1SS133	DIODE		
D501,502			1SS133	DIODE		
D503			MTZJ5.1B	Z DIODE		
D504			1SS133	DIODE		
D567			1SS133	DIODE		
D587A			1SS133	DIODE		
D601,602			1N4002L	DIODE		
D603-605			1SS133	DIODE		
D705			MTZJ6.2B	Z DIODE		
D706			1SS133	DIODE		
D708			RD9.1E(B1)	Z DIODE		
Δ D709			W02G	DIODE		
Δ D710			GBU4D	DIODE		
D711			MTZJ13B	Z DIODE		
D713			MTZJ33B	Z DIODE		
Δ D714,715			1N4002L	DIODE		
D716			MTZJ12B	Z DIODE		
IC201			TA8189N	IC		
IC401			TDA7439	IC		
IC402			NJM4558L	IC(OP AMP X2)		
IC501			STK407-040	IC		
IC601			LC867240A-5L36	IC		
IC602			NJM4558L	IC(OP AMP X2)		
Q201-206			2SC945	TRANSISTOR		
Q207			DTA114ES	TRANSISTOR		
Q208			2SC945	TRANSISTOR		
Q209			DTA114ES	TRANSISTOR		
Q210,211			2SK2541	FET		
Q212			DTA114ES	TRANSISTOR		
Q213			2SC2001L	TRANSISTOR		
Q214			2SC945	TRANSISTOR		
Q215			2SK2541	FET		
Q216			2SC945	TRANSISTOR		
Q217			2SA934R	TRANSISTOR		
Q218			DTC114ES	TRANSISTOR		

L : Scandinavia K : USA P : Canada R : Mexico C : China I : Malaysia  
 Y : PX(Far East, Hawaii) T : Europe E : Europe G : Germany V : China (Shanghai)  
 Y : AAFES(Europe) X : Australia Q : Russia H : Korea M : Other Areas Δ indicates safety critical components.

\* New Parts  
 Parts without **Parts No.** are not supplied.  
 Les articles non mentionnés dans le **Parts No.** ne sont pas fournis.  
 Teile ohne **Parts No.** werden nicht geliefert.

11

Ref. No	Add-ress	New Parts	Parts No.	Description	Desti-nation	Re-marks
Q219			2SA934R	TRANSISTOR		
Q220			DTC114ES	TRANSISTOR		
Q221			2SA934R	TRANSISTOR		
Q222			DTC114ES	TRANSISTOR		
Q223,224			2SC945	TRANSISTOR		
Q401			2SC945	TRANSISTOR		
Q402A			2SC945	TRANSISTOR		
Q403-405			2SC945	TRANSISTOR		
Q407			DTA114ES	TRANSISTOR		
Q408,409			2SC2878A	TRANSISTOR		
Q501,502			2SC1841	TRANSISTOR		
Q503			2SA988	TRANSISTOR		
Q504			2SC945	TRANSISTOR		
Q505,506			2SC2878A	TRANSISTOR		
Q601,602			2SC945	TRANSISTOR		
Q603			2SA733	TRANSISTOR		
Q704			2SD882	TRANSISTOR		
Q705			2SC2001L	TRANSISTOR		
Q706			2SD882	TRANSISTOR		
Q707			2SC945	TRANSISTOR		
Q708			2SA965Y	TRANSISTOR		
Q710			DTC114ES	TRANSISTOR		
<b>FRONT UNIT</b>						
C801-804		*	C91-1593-08	CERAMIC	0.047UF	Z
C805			CE04KW1C470M	ELECTRO	47UF	16WV
C806			CE04KW1H4R7M	ELECTRO	4.7UF	50WV
C807			CE04KW1C470M	ELECTRO	47UF	16WV
C808		*	C91-1593-08	CERAMIC	0.047UF	Z
C809			C91-0745-05	CERAMIC	100PF	K
C810			C91-1525-08	CERAMIC	0.1UF	Z
C811-814			C91-0749-05	CERAMIC	220PF	K
C815			C91-0745-05	CERAMIC	100PF	K
C820			CE04CW1A330M	ELECTRO	33UF	10WV
CN601		*	E40-8454-08	PIN ASSY (10P)		
CN602		*	E40-8456-08	PIN ASSY (11P)		
-		*	J19-3697-08	DISPLAY HOLDER		
L802			L39-1375-08	MOTOR CHOKE 470UH		
S801-815		*	S70-0076-08	TACT SW EVQ21507K		
S816-822		*	S70-0076-08	TACT SW		
VR801			T99-0616-08	VR ENCODER		
VR802		*	T99-0626-08	VR ENCODER		
D801			MTZJ5.6B	Z DIODE		
FLD801			BJ665GK	FLD DISPLAY		
IC801		*	M66004SPA	IC		
LED801,802		*	B30-2559-08	LED (RED)		
RM801		*	W02-2710-08	REMOTE RECEIVER		
<b>CD MECHANISM UNIT</b>						
C01			CE04KW1A101M	ELECTRO	100UF	10WV
C02			CQ92FM1H333J	MYLAR	0.033UF	J
C03			C91-0769-05	CERAMIC	0.010UF	K
C04			CQ92FM1H333J	MYLAR	0.033UF	J
C05			C91-0769-05	CERAMIC	0.010UF	K

L : Scandinavia    K : USA    P : Canada    R : Mexico    C : China    I : Malaysia  
 Y : PX(Far East, Hawaii)    T : Europe    E : Europe    G : Germany    V : China (Shanghai)  
 Y : AAFES(Europe)    X : Australia    Q : Russia    H : Korea    M : Other Areas    Δ indicates safety critical components.

\* New Parts  
 Parts without **Parts No.** are not supplied.  
 Les articles non mentionnés dans le **Parts No.** ne sont pas fournis.  
 Teile ohne **Parts No.** werden nicht geliefert.

12

Ref. No	Add-ress	New Parts	Parts No.	Description	Desti-nation	Re-marks
C06			CE04KW1E220M	ELECTRO	22UF	25WV
C07			C91-0725-05	CERAMIC	15PF	J
C08			CK14F1E223Z	CERAMIC	0.022UF	Z
C09			C91-0757-05	CERAMIC	1000PF	K
C11			C91-0765-05	CERAMIC	4700PF	J
C12			C91-0769-05	CERAMIC	0.010UF	K
C13			C91-0767-05	CERAMIC	6800PF	M
C14			CQ92FM1H473J	MYLAR	0.047UF	J
C15			CK14F1E223Z	CERAMIC	0.022UF	Z
C16			CQ92FM1H104J	MYLAR	0.10UF	J
C17 ,18			CE04KW1A101M	ELECTRO	100UF	10WV
C19			CQ92FM1H104J	MYLAR	0.10UF	J
C20			C91-0761-05	CERAMIC	2200PF	M
C20A			CQ92FM1H683J	MYLAR	0.068UF	J
C21 -23			CQ92FM1H104J	MYLAR	0.10UF	J
C24			CE04KW1E4R7M	ELECTRO	4.7UF	25WV
C25			CQ92FM1H333J	MYLAR	0.033UF	J
C26			CQ92FM1H183J	MYLAR	0.018UF	J
C27			C91-0721-05	CERAMIC	10PF	J
C28			CQ92FM1H683J	MYLAR	0.068UF	J
C29			CE04KW1H3R3M	ELECTRO	3.3UF	50WV
C30			C91-0737-05	CERAMIC	47PF	J
C31			C91-1525-08	CERAMIC	0.1UF	Z
C32			CK14F1E223Z	CERAMIC	0.022UF	Z
C33 ,34			CE04KW1A101M	ELECTRO	100UF	10WV
C35			CK14F1E223Z	CERAMIC	0.022UF	Z
C41 ,42			CK14F1E223Z	CERAMIC	0.022UF	Z
C43			CE04DW1A222M	ELECTRO	2200UF	10WV
C46			CE04HW1H4R7M	NP-ELEC	4.7UF	50WV
C47			CK14F1E223Z	CERAMIC	0.022UF	Z
C48			CE04KW1A470M	ELECTRO	47UF	10WV
C49			C91-1525-08	CERAMIC	0.1UF	Z
C51 ,52			CQ92FM1H103J	MYLAR	0.010UF	J
C53			CE04KW1H100M	ELECTRO	10UF	50WV
C56			CF92FV1H474J	MF-C	0.47UF	J
C57			C91-0769-05	CERAMIC	0.010UF	K
C59			C91-0753-05	CERAMIC	470PF	K
C60			C91-0749-05	CERAMIC	220PF	K
C61			CF92FV1H224J	MF-C	0.22UF	J
C62			C91-0769-05	CERAMIC	0.010UF	K
C63 -68			C91-0757-05	CERAMIC	1000PF	K
C63A			CK14F1E223Z	CERAMIC	0.022UF	Z
C63B			CK14F1E223Z	CERAMIC	0.022UF	Z
C69			CK14F1E223Z	CERAMIC	0.022UF	Z
C70			C91-1525-08	CERAMIC	0.1UF	Z
C71			CK14F1E223Z	CERAMIC	0.022UF	Z
C72			CE04KW1A101M	ELECTRO	100UF	10WV
C73 ,74			CC45FSL1H300J	CERAMIC	30PF	J
C75			CK14F1E223Z	CERAMIC	0.022UF	Z
C76			CE04KW1A101M	ELECTRO	100UF	10WV
C77			C91-0757-05	CERAMIC	1000PF	K
C78			CK14F1E223Z	CERAMIC	0.022UF	Z
C79			CE04KW1A101M	ELECTRO	100UF	10WV
C81 ,82			C91-0747-05	CERAMIC	150PF	K
C83 ,84			C91-0755-05	CERAMIC	680PF	K

L : Scandinavia    K : USA    P : Canada    R : Mexico    C : China    I : Malaysia  
 Y : PX(Far East, Hawaii)    T : Europe    E : Europe    G : Germany    V : China (Shanghai)  
 Y : AAFES(Europe)    X : Australia    Q : Russia    H : Korea    M : Other Areas    Δ indicates safety critical components.

PARTS LIST

RXD-302/302E/352/352E/372S

\* New Parts

Parts without **Parts No.** are not supplied.  
 Les articles non mentionnés dans le **Parts No.** ne sont pas fournis.  
 Teile ohne **Parts No.** werden nicht geliefert.

13

Ref. No	Add-ress	New Parts	Parts No.	Description	Desti-nation	Re-marks
C85 ,86			CE04KW1H4R7M	ELECTRO 4.7UF 50WV		
C87 ,88			C91-0757-05	CERAMIC 1000PF K		
C89			CK14F1E223Z	CERAMIC 0.022UF Z		
C90			CK14F1E223Z	CERAMIC 0.022UF Z		
C91			CE04KW1A471M	ELECTRO 470UF 10WV		
C92			CK14F1E223Z	CERAMIC 0.022UF Z		
C93 ,94			CE04KW1A221M	ELECTRO 220UF 10WV		
C95			CK14F1E223Z	CERAMIC 0.022UF Z		
C96 ,97			CK14F1E223Z	CERAMIC 0.022UF Z		
C98			CK14F1E223Z	CERAMIC 0.022UF Z		
CN01		*	E40-8463-08	FLAT CABLE CONNECTOR (16P)		
CN05		*	E40-8457-08	FLAT CABLE CONNECTOR (24P)		
CN06			E40-8415-08	FLAT CABLE CONNECTOR (5P)		
L02 ,03			L39-1334-08	COIL 220		
L05		*	L39-1383-08	MOTOR CHOKE COIL 101		
XTL01		*	L77-2267-08	CRYSTAL RESONATOR 16.93MHZ		
S01		*	S90-0133-08	LEAF SW		
S02		*	S90-0133-08	LEAF SW		
S03			S64-0043-08	LEAF SW		
S04			S64-0043-08	LEAF SW		
S05			S74-0038-08	SW		
D03			MTZJ5.6B	ZENER DIODE		
IC01		*	CXA1992BR	IC		
IC02		*	CXD2589Q	IC		
IC03			BA5936S	IC(BTL DRIVER)		
IC05			NJM4558L	IC(OP AMP X2)		
Q01			2SA952L	TRANSISTOR		
Q02			2SC2001	TRANSISTOR		
Q03 ,04			2SC945	TRANSISTOR		
<b>CD MECHANISM (D40-1515-05)</b>						
103	2A		D10-3606-08	ROD		
104	1B		D13-1720-08	GEAR		
106	3B		S74-0038-08	LEAF SWITCH		
108	3B		E40-3264-05	PIN ASSY		
DM	1B		A11-1082-18	SUB CHASSIS ASSY		
FM	2B		T42-0817-08	MOTOR ASSY		
PU	1A		T25-0061-08	PICKUP(KSS-213C)		
<b>CD-MECHANISM (D40-1652-08)</b>						
1	2C		J99-0810-08	CHANGER BASE		
2	1C		G16-0953-08	TRAY SHEET(BLK)		
3	2C		N19-1489-08	E-RING (2.5Q)		
4	2C		N19-1485-08	CHANGE GEAR WASHER		
5	2C		G01-4125-08	CHANGE GEAR SPRING		
6	2C		D13-1925-08	CHANGE GEAR		
7	2C		N19-1486-08	POLY WASHER (Q1.4XQ4.1X0.3T)		
8	2C		J19-5990-08	CHANGE PLATE ASSEMBLY		
10	2C		D13-1926-08	RELAY GEAR B		
11	2C		N19-1487-08	CHANGE PLATE WASHER		
13	2C		D15-0415-08	GEAR PULLEY		
14	2C		D16-0727-08	LOADING BELT		
15	2C		D13-1927-08	RELAY GEAR A		
17	2C		D13-1928-08	TR LOCK GEAR		
18	1C		D13-1929-08	RELAY GEAR C		

L : Scandinavia K : USA P : Canada R : Mexico C : China I : Malaysia

Y : PX(Far East, Hawaii) T : Europe E : Europe G : Germany V : China (Shanghai)

Y : AAFES(Europe) X : Australia Q : Russia H : Korea M : Other Areas Δ indicates safety critical components.

14

\* New Parts

Parts without **Parts No.** are not supplied.  
 Les articles non mentionnés dans le **Parts No.** ne sont pas fournis.  
 Teile ohne **Parts No.** werden nicht geliefert.

Ref. No	Add-ress	New Parts	Parts No.	Description	Desti-nation	Re-marks
19	1D, 1E		G16-0954-08	CUSHION (12X8X4.2T)		
20	1C		D13-1930-08	TR GEAR		
21	1C		F07-1671-08	BLIND SHEET		
22	1C		J30-0493-08	SWITCH FIBER		
24	1C		J99-0812-08	TURNTABLE (TRAY)		
26	2C		G13-0596-08	SWITCH LEVER CUSHION		
27	1D		D10-3871-08	SENSOR SWITCH LEVER		
30	1D		G01-4126-08	SENSOR SWITCH LEVER SPRING		
32	1D		J90-0868-08	TURNTABLE FIXING PLATE		
38	1D		D14-0806-08	ROLLER		
42	2E		G01-4127-08	MECHA BASE SPRING (A)		
43	2E		A15-0100-08	MECHA BASE KSM		
45	1E		G01-4128-08	MECHA BASE SPRING		
46	1E		D39-0340-08	DUMPER (RED)		
47	1E		D40-1515-05	CD MECHANISM (KSM213CCM)		
49	1E		D39-0341-08	DUMPER (GREEN)		
50	1D		D15-0416-08	GEAR PULLEY (B)		
51	1D		D16-0728-08	LOADING GEAR BELT		
52	1D		N19-1488-08	POLY WASHER		
54	1D		D13-1931-08	SLIDE GEAR		
56	2D	*	J11-0851-08	MAGNET HOLDER (CLAMPER)		
57	1D		G01-4129-08	CAM BRAKE SPRING		
58	1D		D10-3872-08	SWITCH LEVER		
60	1D		D13-1932-08	UD REDUCE GEAR		
61	1D		T99-0620-08	MAGNET		
62	1D		D12-0160-08	UD CAM		
64	2D	*	H21-0376-08	FIBER PLATE		
66	1D	*	J19-6025-08	MAGNET COVER		
67	2E	*	N19-1497-08	HEMILON WASHER (65X27.5X0.3)		
AG			N09-3345-08	SCREW TAPTITE CUP2618 (2.6X16)		
AK			N09-5102-08	RELAY GEAR (B) SCREW		
AL			N09-5101-08	SCREW TAPTITE CUP2010 (2X10)		
S01 ,S02	1D		S64-0028-05	LEVER SWITCH		
S03 ,S04	1C		S64-0043-08	SWITCH MSS-813		
LM	2D		T42-0944-08	MOTOR PULLEY ASSY		
RTM	2D		T42-0945-08	MOTOR PULLEY ASSY		
<b>CASSETTE MECHANISM</b>						
441	2H		D16-0735-08	BELT (B)MECHA SMALL		
442	2G		D16-0736-08	BELT (A)MECHA SMALL		
443	2G		D16-0737-08	BELT (B)MECHA LARGE		
444	2G		D16-0738-08	BELT (A)MECHA LARGE		
<b>SPEAKER (LS-N302/N352)</b>						
-			T03-0505-08	TWEETER UNIT		
-			T10-1004-08	WOOFER UNIT		
-		*	T19-0208-08	SPEAKER BOX AASY LS-N352		MYXM2
-		*	T19-0208-08	SPEAKER BOX AASY LS-N352		TEE2
-		*	T19-0210-08	SPEAKER BOX AASY LS-N302		E3E4

L : Scandinavia K : USA P : Canada R : Mexico C : China I : Malaysia

Y : PX(Far East, Hawaii) T : Europe E : Europe G : Germany V : China (Shanghai)

Y : AAFES(Europe) X : Australia Q : Russia H : Korea M : Other Areas Δ indicates safety critical components.

# RXD-302/302E/352/352E/372S

## PARTS LIST

### HOW TO READ THE PARTS LIST

#### ABBREVIATION OF MODEL AND MASS PRODUCTION'S DESTINATIONS

<i>MODEL</i>	<i>ABB.</i>	<i>Australia</i>	<i>Canada</i>	<i>China</i>	<i>England</i>	<i>Europe</i>	<i>Germany</i>	<i>Korea</i>	<i>Malaysia</i>
RXD-302	-	-	-	-	-	E3	-	-	-
RXD-302E	-	-	-	-	-	E4	-	-	-
RXD-352	-	X	-	-	T	E	-	-	-
RXD-352E	-	-	-	-	-	E2	-	-	-
RXD-372S	-	-	-	-	-	-	-	-	-
<i>MODEL</i>	<i>ABB.</i>	<i>Mexico</i>	<i>PX/AAFES</i>	<i>Russia</i>	<i>Scandinavia</i>	<i>Shanghai</i>	<i>USA</i>	<i>Other area</i>	
RXD-302	-	-	-	-	-	-	-	-	-
RXD-302E	-	-	-	-	-	-	-	-	-
RXD-352	-	-	Y	-	-	-	-	M	-
RXD-352E	-	-	-	-	-	-	-	-	-
RXD-371S	-	-	-	-	-	-	-	M2	-

# RXD-302/302E/352/352E/372S

## SPECIFICATIONS

### Main unit

#### [ Amplifier section ]

##### (XD-A31/XD-302)

Rated power output (U.S.A. and Canada)

30 watts per channel minimum RMS, both channels driven, at 6  $\Omega$  from 40 Hz to 14 kHz with no more than 0.9 % total harmonic distortion.

Effective output power during STEREO operation

U.S.A. and Canada

1 kHz, 10 % T.H.D., 6  $\Omega$  ..... 43 W + 43 W

##### (XD-352/XD-372S)

Effective output power during STEREO operation

1 kHz, 10 % T.H.D., 6  $\Omega$  ..... 43 W + 43 W

Rated output power during STEREO operation

Europe, U.K. and Russia

(DIN) 1 kHz, 0.7 % T.H.D., 6  $\Omega$  ..... 43 W + 43 W

Other countries

1 kHz, 1.0 % T.H.D., 6  $\Omega$  ..... 43 W + 43 W

Input sensitivity / impedance

AUX ..... 300 mV / 40 k $\Omega$

Output level / impedance

(XD-A31/XD-302)

SUPER WOOFER PREOUT ..... 1.8 V / 0.6 k $\Omega$

#### [ Tuner section ]

##### FM tuner section

Tuning frequency range ..... 87.5 MHz ~ 108 MHz

(For Russia) .....

87.5 MHz ~ 108 MHz

65.0 MHz ~ 74.0 MHz

##### AM (MW) Tuner section

Tuning frequency range

Europe, U.K. and Russia ..... 531 kHz ~ 1,602 kHz

U.S.A. and Canada ..... 530 kHz ~ 1,700 kHz

Other countries

9 kHz step ..... 531 kHz ~ 1,602 kHz

10 kHz step ..... 530 kHz ~ 1,610 kHz

##### LW Tuner section (For U. K.)

Tuning frequency range ..... 153 kHz ~ 279 kHz

##### SW Tuner section (XD-372S)

Tuning frequency range ..... 5.95 MHz ~ 17.9 MHz

#### [ Cassette deck section ]

Track ..... 4-track, 2-channel stereo

Recording system ..... AC bias system  
(Frequency: 105 kHz)

Heads

B deck Playback / recording head ..... 1

Erasing head ..... 1

A deck Playback head ..... 1

Motor ..... 1

#### [ CD player section ]

Laser ..... Semiconductor laser

Wow & Flutter ..... Less than unmeasurable Limit

#### [ General ]

Power consumption ..... 150 W

Dimensions ..... W: 280 mm (11")

H: 330 mm (13")

D: 405 mm (15-15/16")

Weight (net) ..... (XD-A31/XD-302) 6.9kg (15.2 lb)

(XD-352) 7.2kg (15.9 lb)

(XD-372S) 9.1kg (20.1 lb)

#### Speakers (LS-N302/LS-N352)

Enclosure ..... Bass-reflex type

Speaker configuration

Woofer ..... 130 mm, cone type

Tweeter ..... 50 mm, cone type

Impedance ..... 6  $\Omega$

Maximum input level ..... 43 W

Dimensions ..... W: 220 mm (8-11/16")

H: 330 mm (13")

D: 295 mm (11-5/8")

Weight (net) ..... 3.2 kg (7.1 lb) (1 piece)



1. KENWOOD follows a policy of continuous advancements in development. For this reason specifications may be changed without notice.
2. Sufficient performance may not be possible at very low temperatures (0°C or less).

#### Note:

Component and circuit are subject to modification to insure best operation under differing local conditions. This manual is based on Europe (E) standard, and provides information on regional circuit modification through use of alternate schematic diagrams, and information on regional component variations through use of parts list.

## KENWOOD CORPORATION

14-6, Dogenzaka 1-chome, Shibuya-ku, Tokyo, 150-8501 Japan

### KENWOOD SERVICE CORPORATION

P.O. BOX 22745, 2201 East Dominguez St., Long Beach, CA 90801-5745, U.S.A.

### KENWOOD ELECTRONICS CANADA INC.

6070 Kestrel Road, Mississauga, Ontario, Canada L5T 1S8

### KENWOOD ELECTRONICS LATIN AMERICA S.A.

P.O. BOX 55-2791, Piso 6 plaza Chase, Cl. 47 y Aquilino de la Guardia Panama, Republic de Panama

### KENWOOD ELECTRONICS BRASIL LTDA.

Av Indianópolis, 628, 04062-001 Planalto Paulista São Paulo-SP-Brasil

### KENWOOD ELECTRONICS U.K. LIMITED

KENWOOD House, Dwight Road, Watford, Herts., WD1 8EB., United Kingdom

### KENWOOD ELECTRONICS BELGIUM N.V.

Meachelsesteenweg 418, B-1930 Zaventem, Belgium

### KENWOOD ELECTRONICS DEUTSCHLAND GMBH

Rembrücker Str. 15, 63150 Heusenstamm, Germany

### KENWOOD ELECTRONICS FRANCE S.A.

13 Boulevard Ney, 75018 Paris, France

### KENWOOD ELECTRONICS ITALIA S.p.A.

Via G. Sirtori, 7/9 20129, Milano, Italy

### KENWOOD IBÉRICA S.A.

Bolivia, 239-08020 Barcelona, Spain

### KENWOOD ELECTRONICS AUSTRALIA PTY. LTD.

(A.C.N. 001499 074)

P.O. Box 504, 8 Figtree Drive, Australia Centre, Homebush, N.S.W. 2140, Australia

### KENWOOD & LEE ELECTRONICS, LTD.

Unit 3712-3724, Level 37, Tower 1, Metroplaza, 223 Hing Fong Road, Kwai Fong N.T., Hong Kong

### KENWOOD ELECTRONICS GULF FZE

P.O. Box 61318, Jebel Ali, Dubai, U.A.E.

### KENWOOD ELECTRONICS SINGAPORE PTE LTD.

No. 1 Genting Lane #02-02, KENWOOD Building, Singapore, 349544

### KENWOOD ELECTRONICS (MALAYSIA) SDN BHD.

#4.01 Level 4, Wisma Academy Lot 4A, Jalan 19/1 46300 Petaling Jaya Selangor Darul Ehsan Malaysia

### KENWOOD ELECTRONICS (THAILAND) CO., LTD.

573/111 Soi Ramkhamhaeng 39, Ramkhamhaeng Road, Wangthonglang, Bangkok, Bankok 10301 Thailand